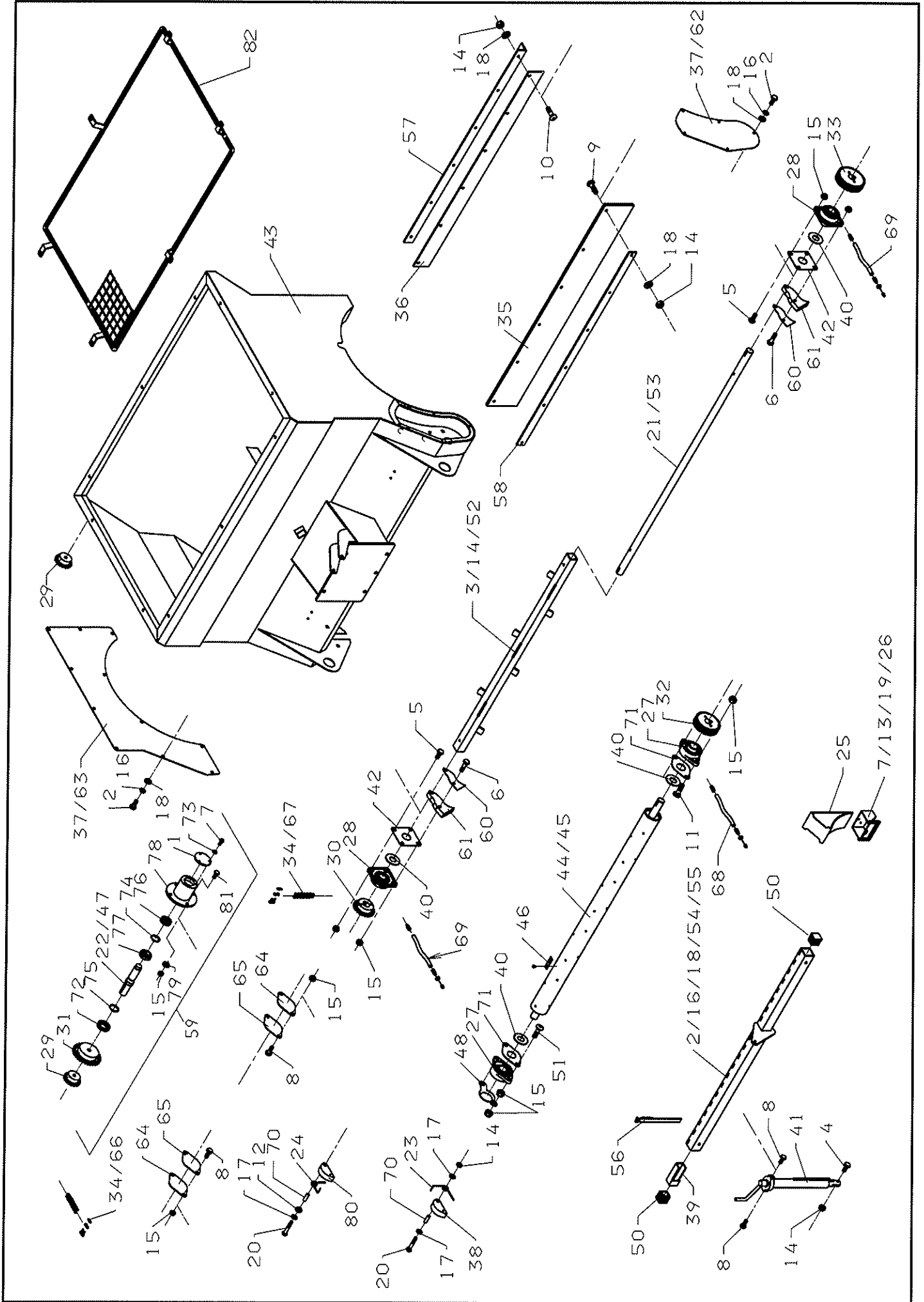


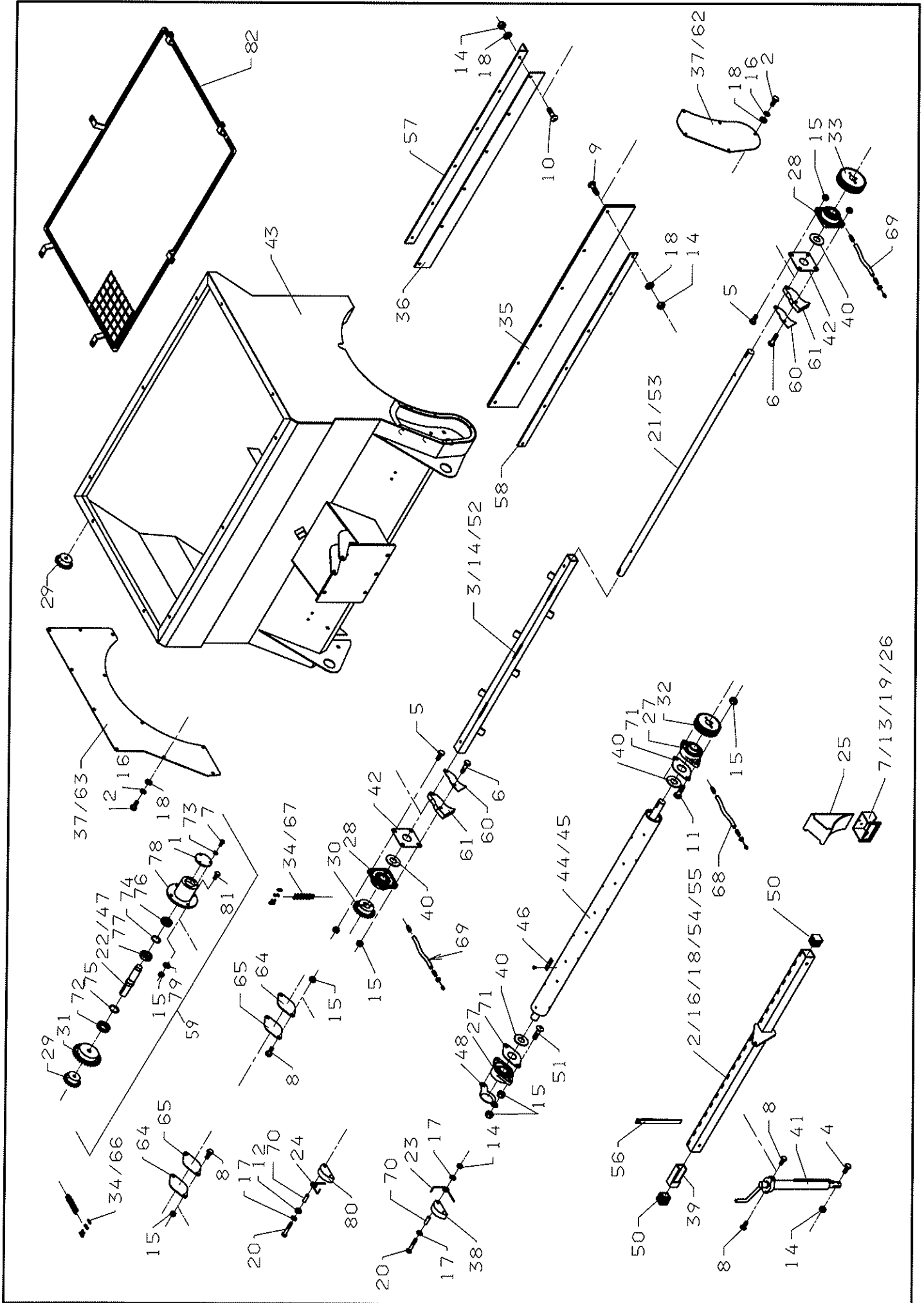
Spare parts list

| | |
|---|--|
| Typenr.: Type no.: Ballart nr.: _____ | Fabrikationsnr.: Prod. no.: Prod. nr.: _____ |
| Årgang: Year: Jahr: _____ | Max. arb. tryk: Max. pressure: Max. druck: _____ |
| Egenvægt: Net weight: Eigengewicht: _____ | Spænding: Voltage: Spannung: _____ |
| Max. last: Max. load: Max. ladung: _____ | |



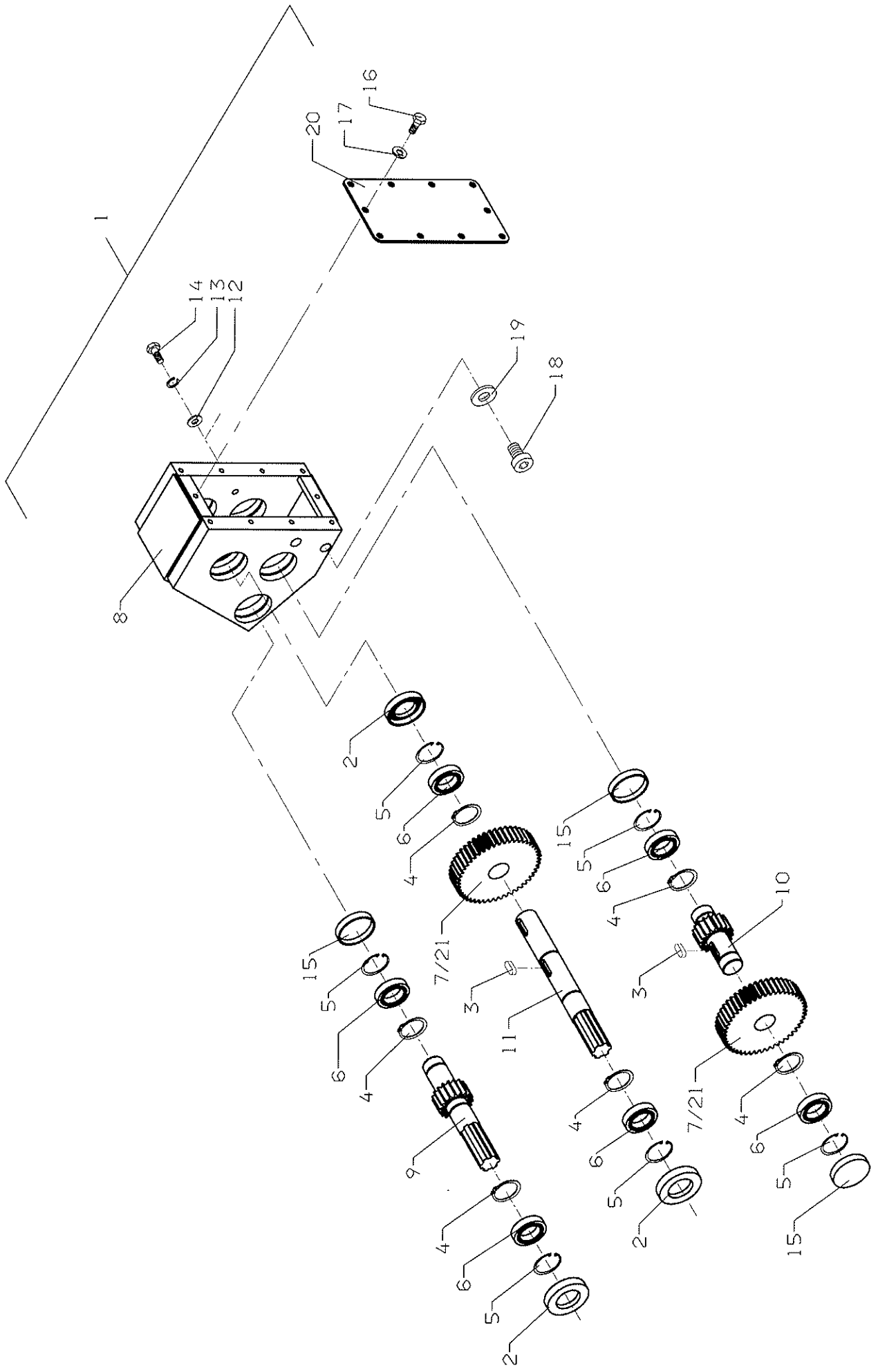
Vario 1200

| | Kasse | Hopper | Behälter | |
|-----|----------|---------------------------------|--------------------------------|--------------------------------|
| Pos | Res.no. | | Note | |
| | V3300000 | Salt- og sandspreder Vario 120 | Salt- and gritspreader Vario 1 | Salz- und Kiesstreuer Vario 12 |
| 1 | V3306103 | Dæksel for mellemløje | Cover for intermediate bearing | Deckel für Zwischenlager |
| 2 | 22077001 | Rustfri sætskrue M8x16 | Rustproof setscrew M8x16 | Rostfrei Satzschraube M8x16 |
| 3 | 22077003 | Rustfri sætskrue M8x50 | Rustproof setscrew M8x50 | Rostfrei Satzschraube M8x50 |
| 4 | 22077004 | Rustfri sætskrue M8x30 | Rustproof setscrew M8x30 | Rostfrei Satzschraube M8x30 |
| 5 | 22077008 | Rustfri sætskrue M10x30 | Stainless setscrew M10x30 | Rostfrei Satzschraube M10x30 |
| 6 | 22077009 | Rustfri bolt M10x50 | Rustproof bolt M10x50 | Rostfrei Bolz M10x50 |
| 7 | 22077017 | Rustfri sætskrue M6x16 | Stainless setscrew M6x16 | Rostfrei Satzschraube M6x16 |
| 8 | 22077029 | Rustfri sætskrue M10x20 | Rustproof setscrew M10x20 | Rostfrei Satzschraube M10x20 |
| 9 | 22077042 | Rustfri brædebolt M8x35 | Rustproof carriage bolt M8x35 | Rostfrei Schwellenschraube M8x |
| 10 | 22077043 | Rustfri brædebolt M8x30 | Rustproof carriage bolt M8x30 | Rostfrei Schwellenschraube M8x |
| 11 | 22077044 | Rustfri brædebolt M10x35 | Rustproof carriage bolt M10x35 | Rostfrei Schwellenschraube M10 |
| 12 | 22077101 | Rustfri møtrik M8 | Rustproof nut M8 | Rostfrei Mutter M8 |
| 13 | 22077102 | Rustfri låsemøtrik M6 | Stainless locking nut M6 | Rostfrei Gegenmutter M6 |
| 14 | 22077103 | Rustfri låsemøtrik M8 | Stainless lock nut M8 | Rostfrei Gegenmutter M8 |
| 15 | 22077104 | Rustfri låsemøtrik M10 | Stainless lock nut M10 | Rostfrei Gegenmutter M10 |
| 16 | 22077202 | Rustfri fjederskive M8 | Rustproof spring washer M8 | Rostfrei Federscheibe M8 |
| 17 | 22077535 | Rustfri skive ø24/ø8,4x2 | Rustproof washer | Rostfrei Scheibe |
| 18 | 22077532 | Rustfri skive ø16/ø8,4x1.5 | Stainless washer | Rostfrei Scheibe |
| 19 | 22077520 | Rustfri skive M6 ø11/ø6,4x1,6 | Stainless washer M6 | Rostfrei Scheibe M6 |
| 20 | 22081045 | Skrue UC med indiv.6-kant M8x60 | Screw UC M8x60 | Schraube UC M8x60 |
| 21 | 23000506 | Feder 8x7x30 form A | Key 8x7x30 form A | Feder 8x7x30 form A |
| 22 | 23000515 | Feder 8x7x50 form A | Key 8x7x50 Form A | Feder 8x7x50 Form A |
| 23 | 23006511 | Armfjeder venstre | Armspring, lh | Armfeder, lh |
| 24 | 23006512 | Armfjeder højre | Armspring, rh | Armfeder, rh |
| 25 | 24076000 | Kiler plast | Support key | Unterlagskeil |
| 26 | 24076001 | Holder f. plast kile | Holder for support key | Hälter für Unterlagskeil |
| 27 | 25020200 | Flangeleje UCFL 206 Ø30 | Flanged bearing 206 | Flanschenlager 206 |
| 28 | 25020201 | Flangeleje UCF 206 Ø30 | Flanged bearing 206 | Flanschenlager 206 |
| 29 | 26020205 | Simp.kædehjul 1/2"-Z18/ø30H7 N | Chain plate wheel 1/2" | Kettenrad 1/2" |
| 30 | 26020206 | Simp.kædehjul 1/2"-Z23/ø30H7 N | Chain plate wheel 1/2"-Z23 | Kettenrad 1/2"-Z23 |
| 31 | 26020207 | Simp.kædehjul 1/2"-Z31/ø30H7 N | Chain plate wheel 1/2"-Z31 | Kettenrad 1/2"-Z31 |
| 32 | 26025406 | Tandhjul M3-Z=36 ø30H7 | Gear-wheel M3-Z36 | Zahnrad M3-Z36 |
| 33 | 26025407 | Tandhjul M3-Z=40 ø30H7 N+SK | Gear-wheel M3-Z40 | Zahnrad M3-Z40 |
| 34 | 26030021 | Udv. samleled simp.1/2" | Joint link | Zwischenglied |
| 35 | 8000063 | Gummibund for Vario 1200 | Rubber bottom | Gummibund |
| 36 | 8000064 | Gummitætning for Vario 1200 | Rubber packing | Gummi dichtung |
| 37 | 8000066 | D-liste cellegummi | D-fillet, rubber | D-Kehlung, Gummi |
| 38 | V1304100 | Strammeklods E=25 | Tension block | Stramm Klotz |
| 39 | V2015004 | Styr for fjederbund S | Guide | Steuern |
| 40 | V2018000 | Gummipakning for leje | Rubber packing | Gummi Dichtung |
| 41 | V3016002 | Indstillingsspindel mont. | Adjusting spindle | Einstellungs Spindel |
| 42 | V3118000 | Plade for tætning, UCF 206 lej | Sheet for packing | Platte für dichtung |
| 43 | V3301000 | Kasse for Vario 1200 | Hopper for Vario 1200 | Behälter für Vario 1200 |
| 44 | V3302000 | Udlæggervalse for Vario1200, m | Roll | Auslegerwalze |
| 45 | V3302040 | Udlæggervalse, svejst for Vari | Roll | Auslegerwalze |



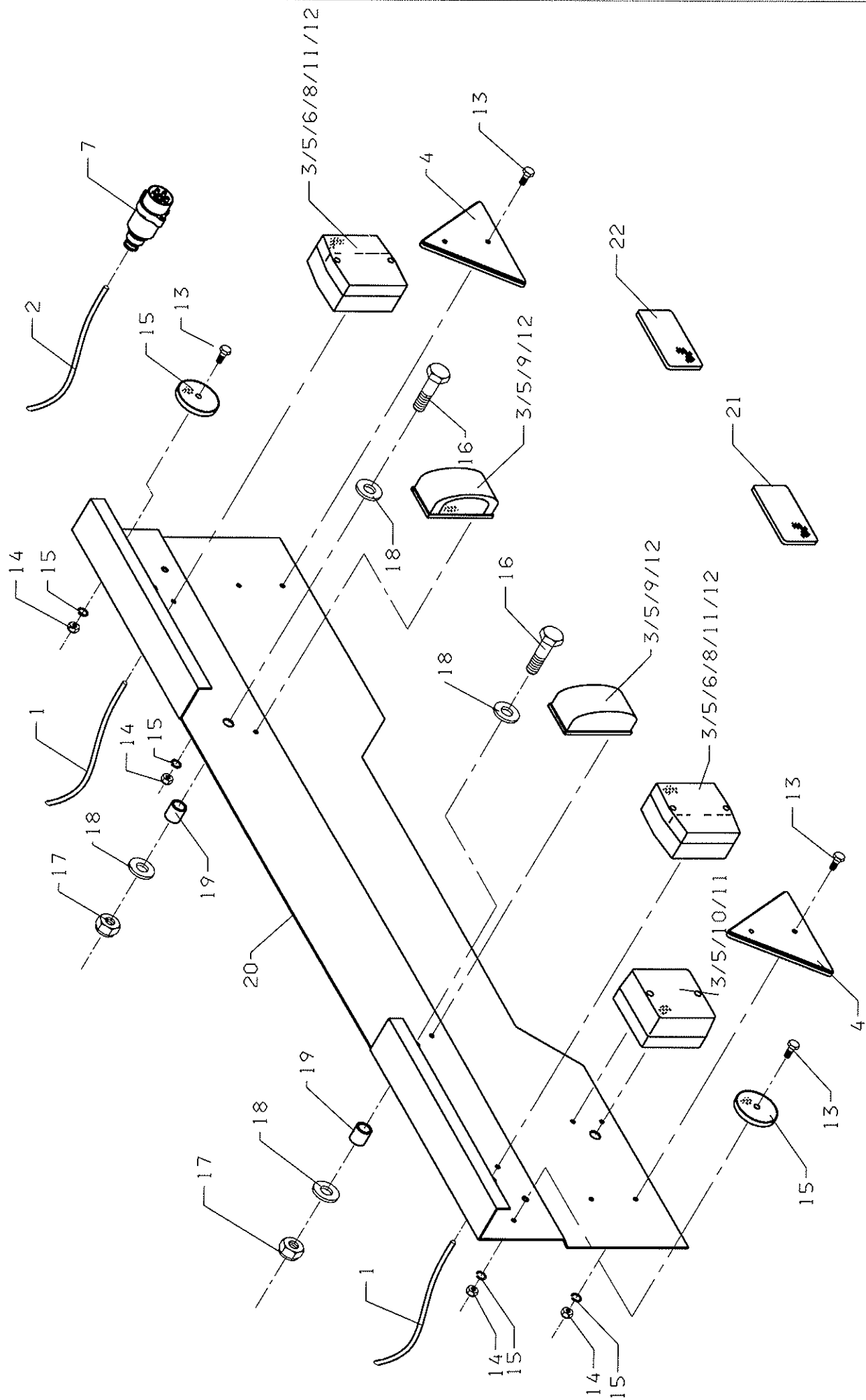
Vario 1200

| Pos | Res.no. | Kasse | Hopper | Behälter | Note |
|-----|----------|--------------------------------|--------------------------------|--------------------------------|---------------|
| 46 | V3300041 | Sæt, 3 mm halv (hel) knast - V | Set, 3 mm half (hole) cam - Va | Satz, 3mm halb Nocken (ganz) - | |
| 46 | V3300044 | Sæt, skrue-knast - Vario 1200 | Set, screw-cam - Vario 1200 | Satz, Schraube-Nocken - Vario | |
| 47 | V3306102 | Aksel for melleleje | Axle for intermediate bearing | Welle für Zwischenlager | |
| 48 | S7400030 | Lejedæksel for 206 UCFL | Guard | Schutzschirm | |
| 49 | 22052004 | Låsemøtrik M10 FZB | Lock nut M10 | Gegenmutter M10 | |
| 50 | 8010002 | Plastprop 40x40 | Plastic plug | Plastik Pfropfen | |
| 51 | 22077049 | Rustfri brædebolt M10x40 | Rustproff carriage bolt M10x40 | Rostfrei Schwellenschraube M10 | |
| 52 | V3303040 | Omrører, svejst | Stirrer | Süchwelle | |
| 53 | V3303100 | Aksel for omrører | Axle for stirrer | Welle für Rührwelle | |
| 54 | V3304000 | Fjederbund, mont. vario 1200 | Spring bottom mounted | Federboden Montiert | |
| 55 | V3304040 | Fjederbund, svejst | Spring bottom | Federboden | |
| 56 | V2015040 | Fjeder for fjederbund mont. | Spring | Feder | |
| 57 | V3305000 | Vinkeljern for gummi | Angle hinge | Winkleisen | |
| 58 | V3305001 | Spændejern for gummi | Clamp plate | Spannplatte | |
| 59 | V3306000 | Melleleje, mont. | Intermediate bearing | Zwischenlager | |
| 60 | V3310000 | Plade for gummitætning | Sheet for rubber | Platten für Gummi | |
| 61 | V3311000 | Gummitætning ved valse | Rubber packing | Gummi dichtung | |
| 62 | V3312000 | Skærm for gearkasse | Screen for gearbox | Schirm für Getriebe | |
| 63 | V3313000 | Skærm for kædekasse | Screen for chainbox | Schirm für Kettenbehälter | |
| 64 | V3314000 | Dæksel for ekstra omrører | Cover | Deckel | |
| 65 | V3314001 | Pakning ved dæksel, ekstra omr | Packing | Dichtung | |
| 66 | V3317000 | Simp. kæde 1/2"x5/16", 102 rul | Chain 1/2"x5/16" | Ketten 1/2"x5/16" | - 710.280.014 |
| 66 | V3317001 | Simp. kæde 1/2"x5/16", 104 rul | Chain 1/2"x5/16" | Ketten 1/2"x5/16" | 710.280.014 - |
| 67 | V3318000 | Simp. kæde 1/2"x5/16", 76 led | Chain 1/2"x5/16" | Ketten 1/2"x5/16" | |
| 68 | V3319000 | Lang rør for smøring, mont. | Long pipe | Lange Rohr | |
| 69 | V3320000 | Kort rør for smøring, mont. | Short pipe | Kurz Rohr | |
| 70 | V4110107 | Rør f. strammeklods 37 mm. | Pipe | Rohr | |
| 71 | V3322000 | Plade for tætning, UCFL 206 le | Sheet for packing | Platte für dichtung | |
| 72 | 21062223 | Simmerring 62-35-07 | Oil seal 62-35-07 | Ölfangring 62-35-07 | |
| 73 | 22077201 | Rustfri fjederskive M6 | Stainless spring washer M6 | Rostfrei Federscheibe M6 | |
| 74 | 23005013 | Låsering Ø30 udvendig | Ring lock ø30 | Schliessring ø30 | |
| 75 | 23005118 | Låsering Ø62 indvendig | Ring lock ø62 | Schliessring ø62 | |
| 76 | 25000110 | Sporkugleleje 6005 | Step ball bearing 6005 | Spurkugellager 6005 | |
| 77 | 25000606 | Sporkugleleje 6206 | Step ball bearing 6206 | Spurkugellager 6206 | |
| 78 | V3306040 | Lejebøsning for melleleje | Bearing bush | Lagerschale | |
| 79 | 22077550 | Rustfri skive M10 ø18/ø10,5x1, | Stainless washer M10 | Rostfrei Scheibe M10 | |
| 80 | V4110108 | Strammeklods B=45 | Tension block | Spannklotz | |
| 81 | 22077440 | Rustfri sætskrue M10x25 | Stainless screw M10x25 | Rostfrei Schraube M10x25 | |
| 82 | V3324000 | Rist for Vario 1200 | | | |



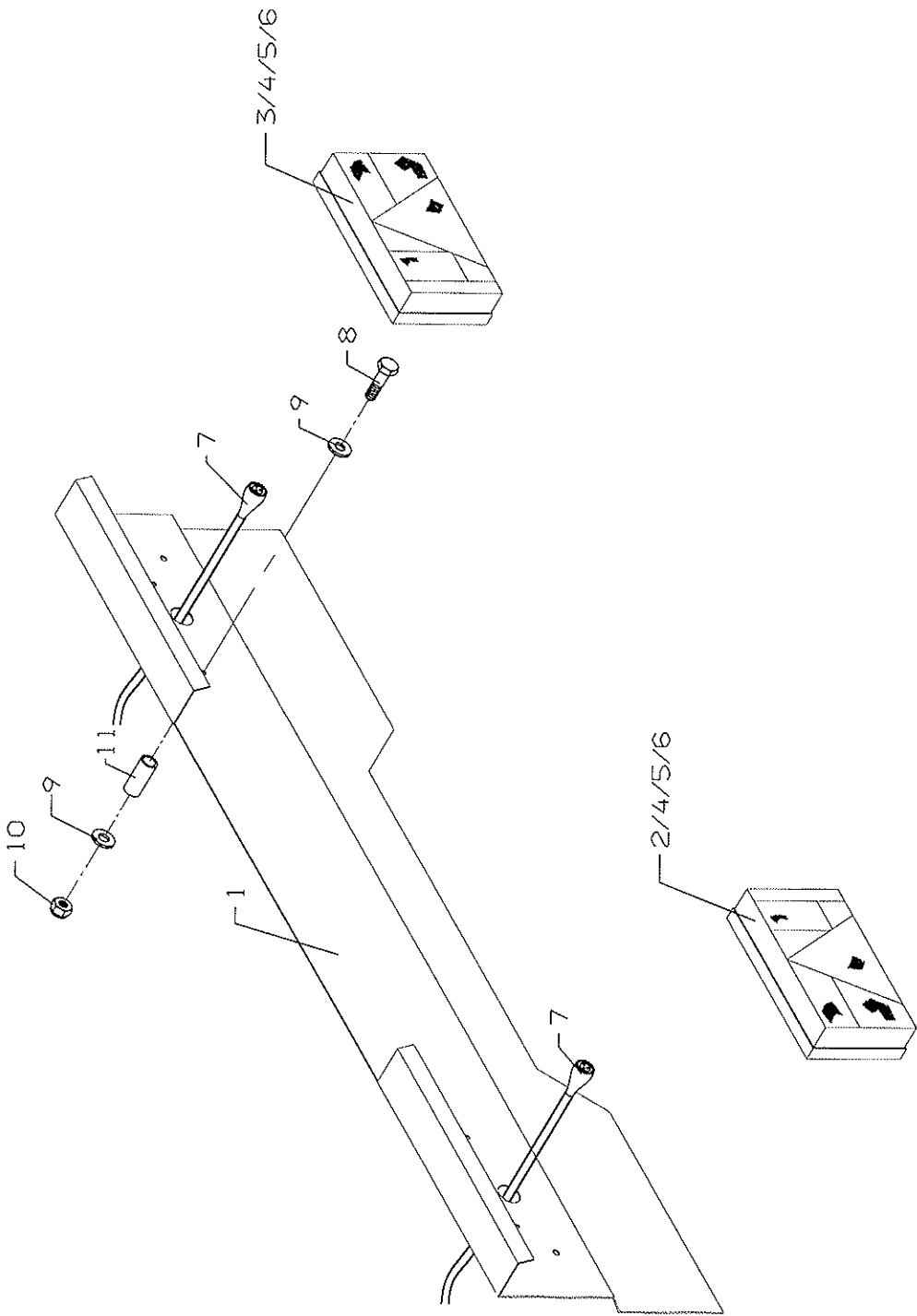
Vario 1200

| Pos | Res.no. | Gearkasse | Gearbox | Getriebe | Note |
|-----|----------|--------------------------------|----------------------------|------------------------------|------|
| 1 | V3315000 | Gearkasse, mont. for Vario 120 | Gearbox mounted Vario 1200 | Getriebe Montiert Vario 1200 | |
| 2 | 21062236 | Simmerring 55-30-7 | Oil seal 55-30-7 | Ölfangring 55-30-7 | |
| 3 | 23000506 | Feder 8x7x30 form A | Key 8x7x30 form A | Feder 8x7x30 form A | |
| 4 | 23005013 | Låsering Ø30 udvendig | Ring lock ø30 | Schliessring ø30 | |
| 5 | 23005113 | Låsering Ø55 indvendig | Ring lock ø55 | Schliessring ø55 | |
| 6 | 25000113 | Sporkugleleje 6006 | Step ball bearing 6006 | Spurkugellager 6006 | |
| 7 | 26025501 | Tandhjul M2.5, Z=48 | Gaer wheel M2,5 Z=48 | Zahnrad M2,5 Z=48 | |
| 8 | V3315040 | Hus for gearkasse, svejst | Gaerbox | Getriebegehäuse | |
| 9 | V3315041 | Kort PTO aksel for gearkasse, | Short PTO shaft | Kurz Kraftüberführungswelle | |
| 10 | V3315042 | Mellemaksel for gearkasse, sve | Countershaft | Zwischenwelle | |
| 11 | V3315104 | Lang PTO aksel for gearkasse | Long PTO shaft | Lange Kraftüberführungswelle | |
| 12 | 22077554 | Rustfri skive ø30/ø10,5x2,5 | Rustproof washer | Rostfrei Federscheibe | |
| 13 | 22077203 | Rustfri fjederskive M10 | Rustproof springwasher M10 | Rostfrei Federscheibe M10 | |
| 14 | 22077029 | Rustfri sætskrue M10x20 | Rustproff setscrew M10x20 | Rostfrei Satzschraube M10x20 | |
| 15 | 21062955 | Endedæksel ED55x10 | End cover ED55x10 | Deckel ED55x10 | |
| 16 | 22077001 | Rustfri sætskrue M8x16 | Rustproof setscrew M8x16 | Rostfrei Satzschraube M8x16 | |
| 17 | 22077202 | Rustfri fjederskive M8 | Rustproof spring washer M8 | Rostfrei Federscheibe M8 | |
| 18 | 21010203 | Olieprop 3/8" gr.508 din 908 | Drainplug 3/8" | Pfropfen 3/8" | |
| 19 | 21062101 | Pakring 3/8" | Seal Ring 3/8" | Dichtring 3/8" | |
| 20 | V3315103 | Dæksel for gearkasse | Cover for gearbox | Deckel für Getriebe | |
| 21 | 22018021 | Stopskrue M6x10 45H sort m/kra | Headless screw M6x10 | Anschlagsschraube M6x10 | |



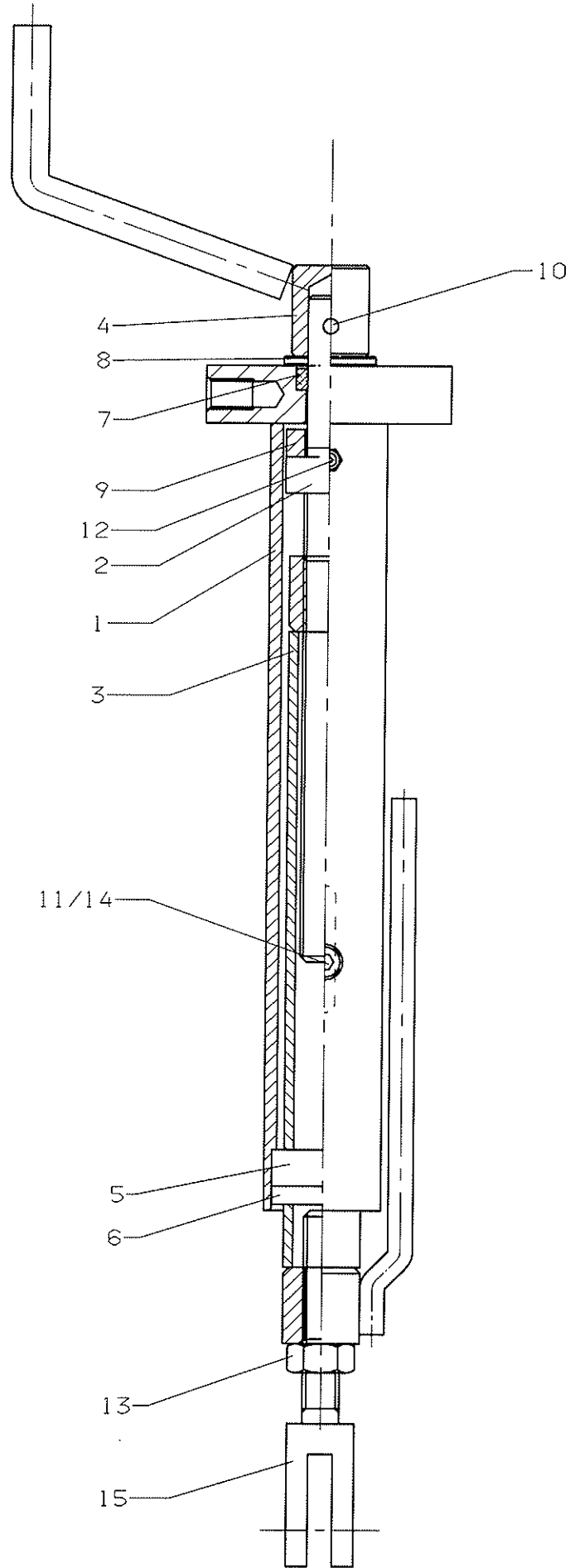
Vario 1200

| | Lygtebjælke | Light equipment | Beleuchtsanlage | | |
|-----|-------------|---------------------------------|-------------------------------|-----------------------------|------------|
| Pos | Res.no. | | | Note | |
| | V3316000 | Lygtebjælke, mont. Vario 1200 | Light equipment Vario 1200 | Beleuchtsanlage Vario 1200 | -710290020 |
| 1 | 20010001 | Kabel 5x0.75 nr.YSL-JZ | Cable 5x0.75 | Kabel 5x0.75 | |
| 2 | 20010002 | Kabel 7x1.0 kv. nr. LGP 7-100 | Cable 7x1.0 | Kabel 7x1.0 | |
| 3 | 20010000 | Kabel 2-ledet 1.5mm2 LGP 2-150 | Cable | Kabel | |
| 4 | 19020102 | Refleks trekant va.nr. AR106 | Reflection triangle | Reflex Dreieck | |
| 5 | 20010100 | Kabelsko hun 6,3 0,5-1,5 kv | Cable eye 6,3 0,5-1,5 kv | Kabelschuh 6,3 0,5-1,5 kv | |
| 6 | 20010110 | Samlemuffe 1,0-2.5kv. "BLÅ" | Conn. coupling 1,0-2.5kv blue | Sammelmuffe 1,0-2.5kv Blau | |
| 7 | 20010201 | 7-polet hanstik KS 6607 | Plug socket KS 6607 | Stecker KS 6607 | |
| 8 | 20010901 | Baglygte firk. 3-kammer m/nr.1 | Rear light | Schlusslaterne | |
| 9 | 20011000 | Nummerpladelygte med sort hus | Number plate light | Nummernschildlicht | |
| 10 | 20011100 | Tågebaglygte 92x92 M/parabol | Fog light 92x92 | Nebellicht 92x92 | |
| 11 | 20011900 | Pærer 12V-21W NR.170335/12498 | Bulb 12v-21w | El. Birne 12v-21w | |
| 12 | 20011902 | Pærer 12V-5W lang NR.LA12844 | Bulb 12v-5w long | El. Birne 12v-5w | |
| 13 | 22077081 | Maskinskrue CH m/lige kærsv M5x | Screw CH M5x12 | Schraube CH M5x12 | |
| 14 | 22077106 | Rustfri låsemøtrik M5 | Rustproof locking nut M5 | Rostfrei Gegenmutter M5 | |
| 15 | 19020106 | Refleks rød Ø60 AR1080-R | Reflection red Ø60 | Reflex Rot Ø60 | |
| 16 | 22077006 | Rustfri sætskrue M8x40 | Rustproof setscrew M8x40 | Rostfrei Satzschraube M8x40 | |
| 17 | 22077103 | Rustfri låsemøtrik M8 | Rustproof lock nut M8 | Rostfrei Gegenmutter M8 | |
| 18 | 22077535 | Rustfri skive Ø24/Ø8,4x2 | Rustproof washer | Rostfrei Scheibe | |
| 19 | V1900103 | Bøsning for lysanlæg 200/300 | Bush | Buchse | |
| 20 | V3316100 | Lygtebjælke for Vario 1200 | Light plate Vario 1200 | Beleuchtsplatte Vario 1200 | |
| 21 | 19020108 | Refleks gul 105x55 AR940-G | Reflection yellow | Reflex Gelb | |
| 22 | 19020109 | Refleks hvid 105x55 AR940-H | Reflection white | Reflex Weiss | |



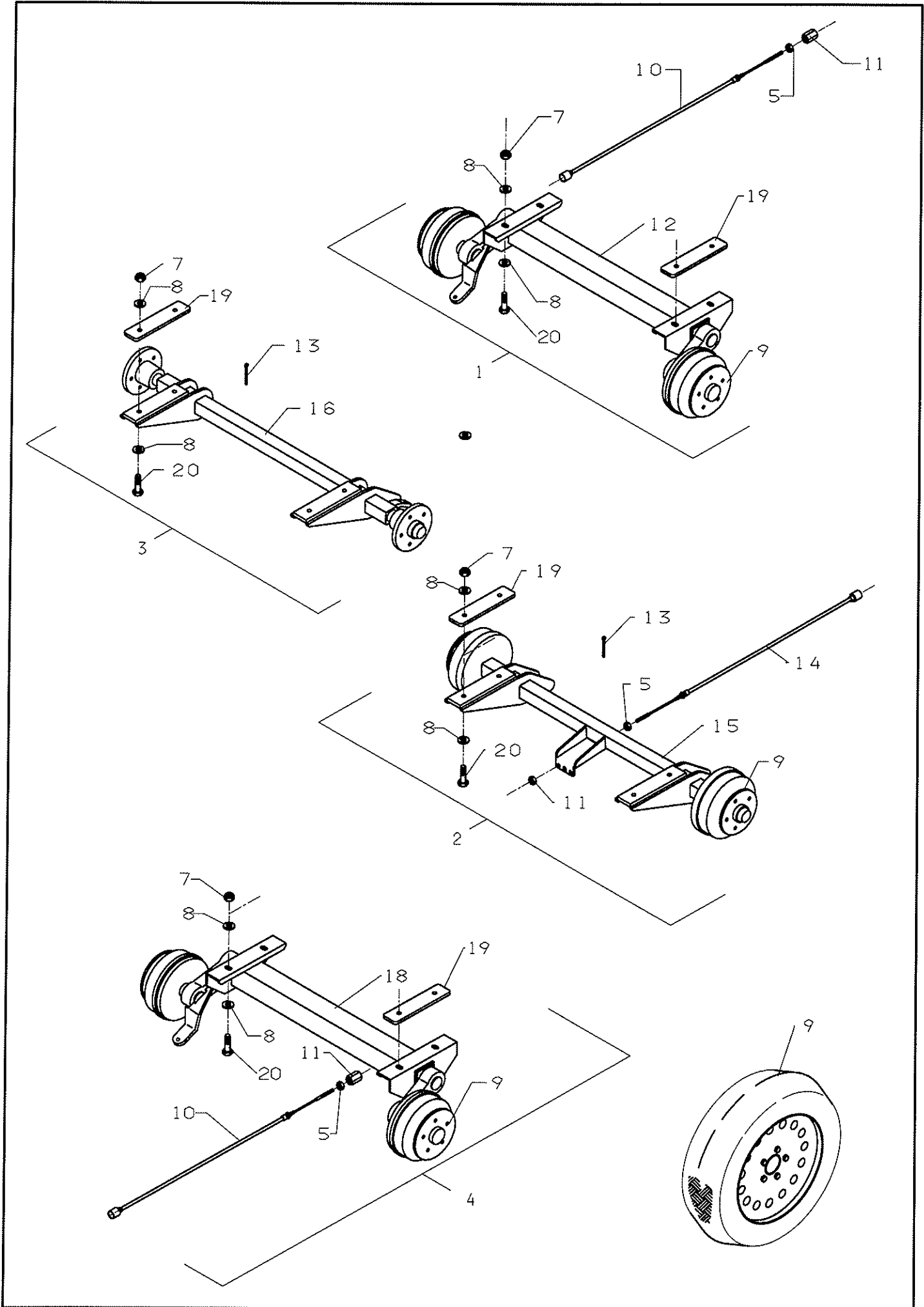
Vario 1200

| | Lygtebjælke | Light equipment | Beleuctsanlage | |
|-----|-------------|--------------------------------|-----------------------------|--------------------------------|
| Pos | Res.no. | | Note | |
| | V3316001 | Lygtebjælke, mont. for Vario 1 | Light equipment | Beleuctanlage |
| 1 | V3316101 | Lygtebjælke for Vario 1200 | Light equipment | Beleuctsanlage |
| 2 | 20010907 | Baglygte Multipoint, H. | Rear light multipoint Right | Schlusslanterne Multipoint Rec |
| 3 | 20010906 | Baglygte Multipoint, V. med tå | Rear light multipoint Left | Schlusslanterne Multipoint Lin |
| 4 | 20011900 | Pærer 12V-21W NR.170335/12498 | Bulb 12v-21w | El. Birne 12v-21w |
| 5 | 20011902 | Pærer 12V-5W lang NR.LA12844 | Bulb 12v-5w long | El. Birne 12v-5w |
| 6 | 20011905 | Pærer 12V-21/5W | Bulb 12V-21/5W | El. Birne 12V-21/5W |
| 7 | 20010070 | Kabelsat 4m-12V m. stik. | Cable set | Kabel Satz |
| 8 | 22077311 | Rustfri bolt M8x70 | Rustproof bolt M8x70 | Rostfrei Bolzen M8x70 |
| 9 | 22077535 | Rustfri skive ø24/ø8,4x2 | Rustproof washer | Rostfrei Scheibe |
| 10 | 22077103 | Rustfri låsemøtrik M8 | Rustproof lock nut M8 | Rostfrei Gegenmutter M8 |
| 11 | V1900110 | Bøsning for lysanlæg Mini 80. | Bush for light | Buchse für lichtenanlage |



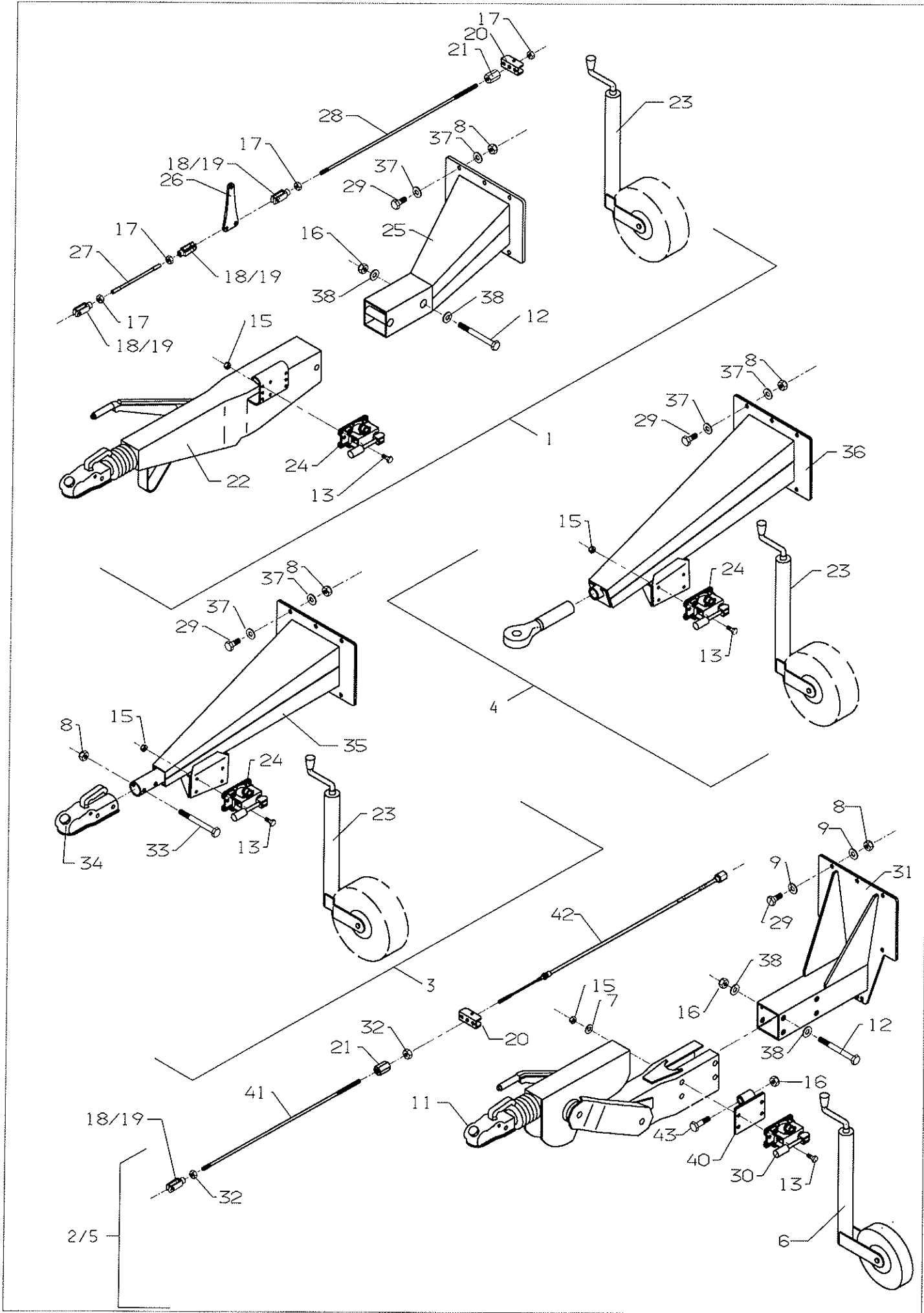
Vario 1200

| | Indstillingsspindel | Adjusting spindle | Einstellungs Spindel | |
|-----|---------------------|---------------------------------|----------------------|-----------------------|
| Pos | Res.no. | | Note | |
| | V3016002 | Indstillingsspindel mont. | Adjusting spindle | Einstellungs Spindel |
| 1 | V3016050 | Rør for spindel, svejst | Pipe for spindle | Rohr für Spindel |
| 2 | V3016047 | Spindel svejst | Spindle | Spindel |
| 3 | V3016051 | Stempel for spindel, svejst | Piston | Stempel |
| 4 | V3016049 | Håndtag for spindel, svejst | Handle welded | Handgriff geschweisst |
| 5 | V3016120 | Bøsning for styr | Bush | Buchse |
| 6 | 21062227 | Simmerring 33x25x6 | Oil seal 33-25-6 | Ölfangring 33-25-6 |
| 7 | 21062228 | Simmerring 22x15x7 | Oil seal 22x15x7 | Ölfangring 22x15x7 |
| 8 | 22058702 | Messing skive M16 30/17x3 | Washer M16 | Scheibe M16 |
| 9 | 25050002 | Trykleje 16x28x9 | Thrust bearing | Drucklager |
| 10 | 23004301 | Rørstift ø5x25 sort | Dowel ø5x25 | Rohrspannstift ø5x25 |
| 11 | 22056100 | Centerfjederskive M6 F2B | Spring washer M6 | Federscheibe M6 |
| 12 | 21060000 | Smørenippel M6x1 lige | Grease nipple M6x1 | Schmiernippel M6x1 |
| 13 | 22050500 | Møtrik M12 8.8 F2B | Nut M12 | Mutter M12 |
| 14 | 22012205 | Skrue M6x12 8.8 CH fzb indiv. 6 | Screw M6x12 8.8 | Schraube M6x12 8.8 |
| 15 | V3016126 | Gaffel for spindel | Fork for spindle | Gabel für Spindel |



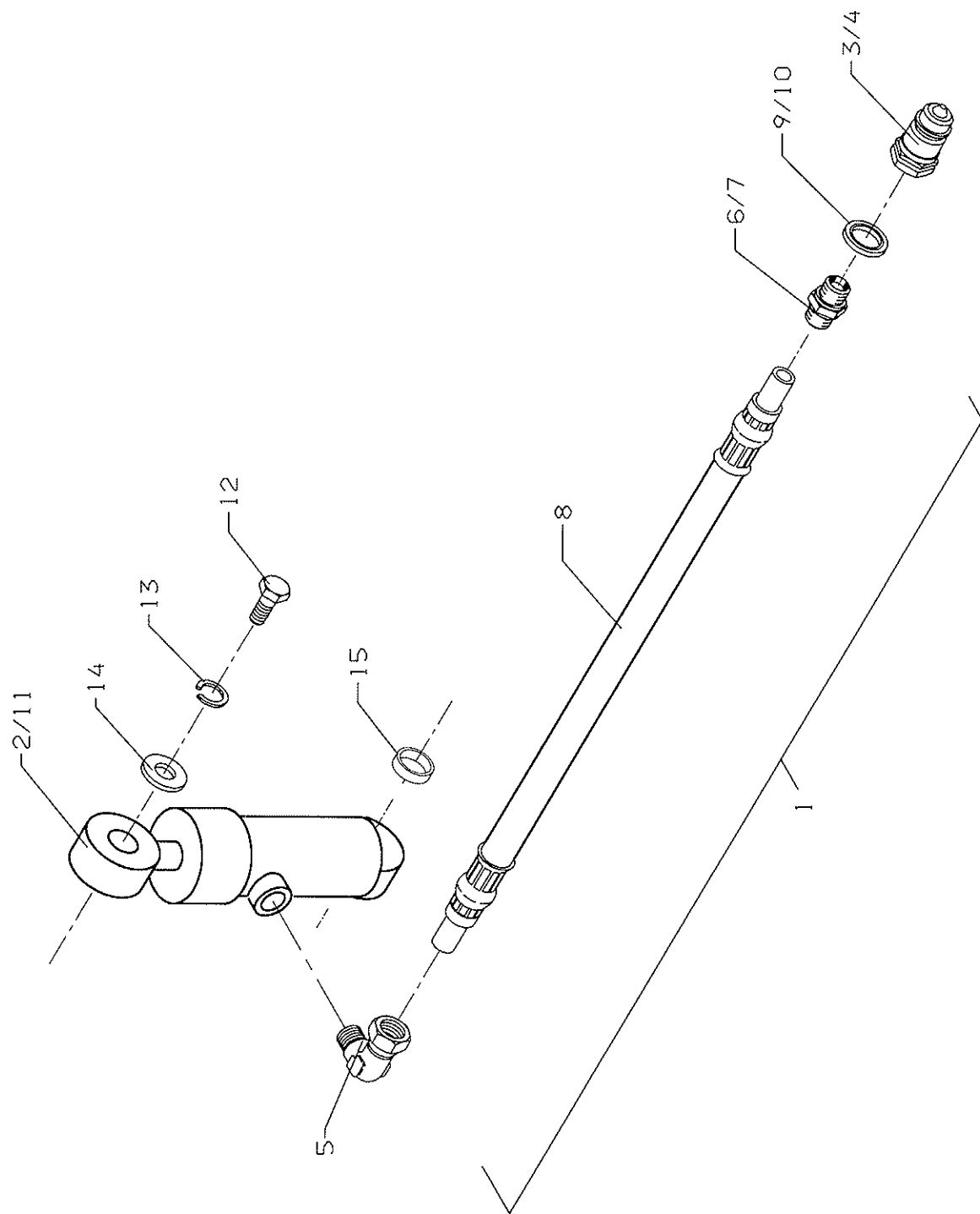
Vario 1200

| | Hjulophæng | Wheel suspension | Rad Aufhängung | |
|-----|------------|---------------------------------|--------------------------------|--------------------------------|
| Pos | Res.no. | | Note | |
| 1 | V3300008 | Sæt, fj. aksel m/bremser Vario | Set, springaxle with brakes Va | Satz, Feder-Achse m. Bremsen, |
| 2 | V3300006 | Sæt, fast aksel m/bremser, Var | Set, fixed axle with brakes Va | Satz, Festachse m. Bremsen, Va |
| 3 | V3300007 | Sæt, fast aksel u/bremser, Var | Set, fixed axle without brakes | Satz, Festachse o. Bremsen, Va |
| 4 | V3300005 | Sæt, fj.aksel m/bremser Vario | Set, spring shaft w/brakes Var | Satz, Feder Achse gebremst Var |
| 5 | 22050300 | Møtrik M8 8.8 FZB | Nut M8 | Mutter M8 |
| 7 | 22052005 | Låsemøtrik M12 FZB | Lock nut M12 | Gegenmutter M12 |
| 8 | 22058610 | Skive M12 ø23/ø13x2,5 FZB | Disc M12 | Scheibe M12 |
| 9 | 24000023 | Hjul kpl. 185R14C M+S (Husk ko | Wheel cpl- 185R114C m+s | Rad Kpl. 185R14C m+s |
| 10 | 24000751 | Bremsekabel L=730, ALKO | Brakecable L=730 | Bremsekable L=730 |
| 11 | 24000770 | Møtrik f.bremsekabel M8 | Nut for brakecable M8 | Mutter für Bremsekable M8 |
| 12 | V3330047 | Fjederaksel svejst, DK | Spring shaft | Federwelle |
| 13 | 23006061 | Split Ø4x36 FZB | Split pen Ø4x36 | Splint Ø4x36 |
| 14 | 24000750 | Bremsekabel L=770, Alko | Brakecable L=770 | Bremsekable L=770 |
| 15 | V3330046 | Hjulaksel med bremsler, svejst | Wheelaxle w/brake | Radwelle m/Bremse |
| 16 | V3330041 | Hjulaksel uden bremsler, svejst | Wheelaxle without brake | Radwelle ohne Bremse |
| 18 | V3330044 | Fjederaksel svejst, KMV | Spring shaft | Federwelle |
| 19 | V3331127 | Afstandsbeslag for hjulophæng | Distancefitting | Abstandbeschlag |
| 20 | 22002301 | Mask. bolt M12x50 8.8 fzb | Bolt M12x50 | Bolzen M12x50 |



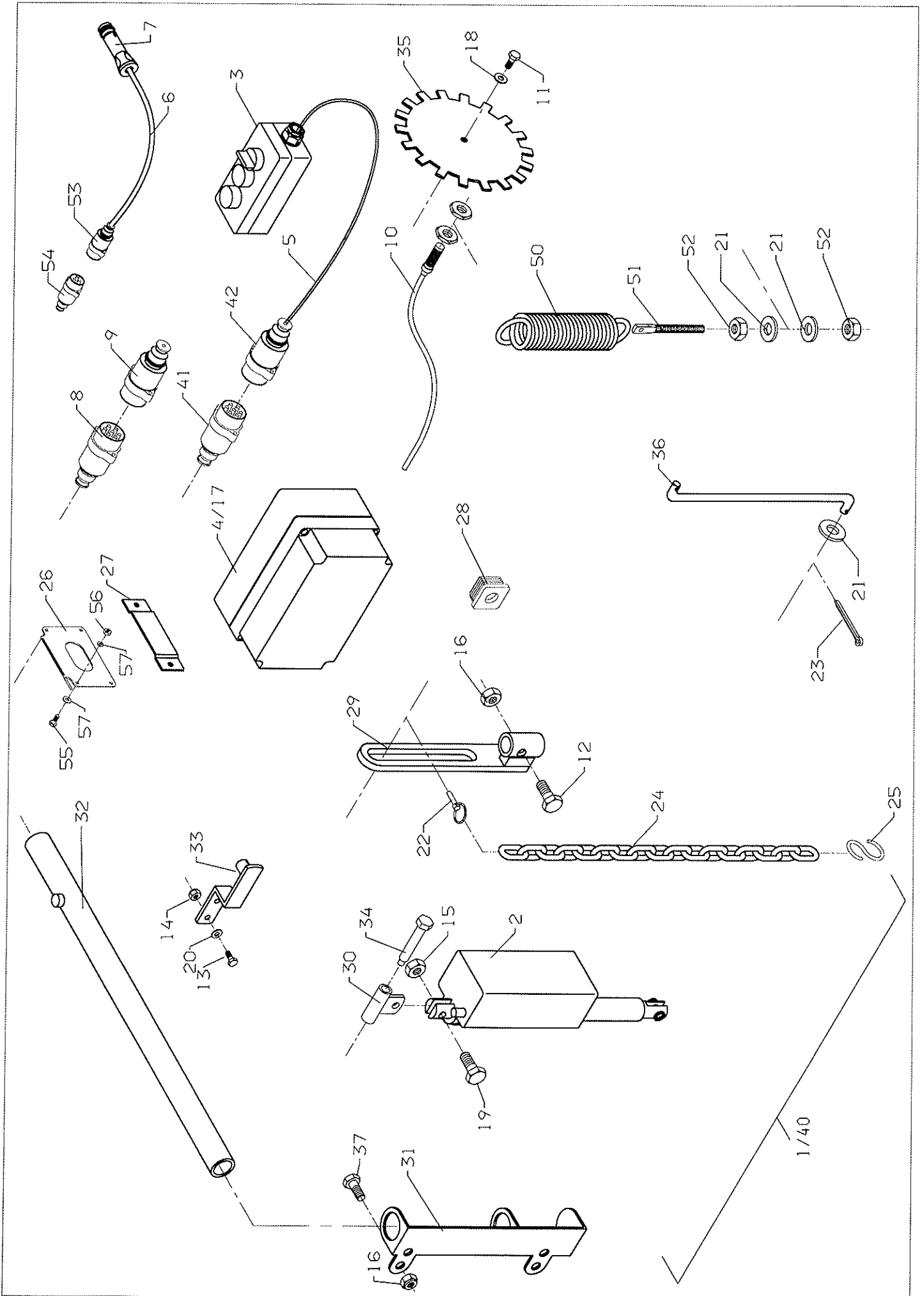
Vario 1200

| Pos | Res.no. | Træk | Tension | Zug | Note |
|-----|----------|--------------------------------|--------------------------------|---------------------------------|------|
| 1 | V3300010 | Sæt, fast kuglek. m/bremser Va | Set, fixed pickupclutch w/over | Satz, Kugelkublung mit Auflauf | |
| 2 | V3300014 | Sæt, indstil. kuglek. m/br. 12 | Set, adjustable pickupclutch/o | Satz, Höhenverstellbar Kugelk. | |
| 3 | V3300011 | Sæt, fast kuglek. u/bremser, V | Set, fixed pickupclutch withou | Satz, Kugelkublung ohne Auflauf | |
| 4 | V3300012 | Sæt, fast prodsejetræk, Vario | Set, fixed eyeconnection witho | Satz, Fest Zugöse ohne Auflauf | |
| 5 | V3300013 | Sæt, indstil. kuglek. m/br. 12 | Set, adjust. ball coupling | Satz, Auflaufeinrichtungen | |
| 6 | 29004010 | Støttehjul f vario KMV/DK | Steadying wheel f. Vario 1200 | Stützrad f. Vario 1200 | |
| 7 | 22058402 | Facetskive 5/16" FZB 18/8,4x2 | Fcet disc 5/16" | Facettenscheibe 5/16" | |
| 8 | 22052005 | Låsemøtrik M12 FZB | Lock nut M12 | Gegenmutter M12 | |
| 9 | 22058610 | Skive M12 ø23/ø13x2,5 FZB | Disc M12 | Scheibe M12 | |
| 10 | 24000751 | Bremsekabel L=730, ALKO | Brakecable L=730 | Bremsekable L=730 | |
| 11 | 24020200 | Indstilligtræk med påløbsbrems | Adjust. draw w/overrun brake | Verstellbar zug m/Bremsen | |
| 12 | 22002513 | Mask. bolt M16x130 8.8 fzb | Bolt M16x130 | Bolzen M16x130 | |
| 13 | 22008304 | Satskrue M8x25 8.8 fzb | Set screw M8x25 | Satzschraube M8x25 | |
| 15 | 22052003 | Låsemøtrik M8 FZB | Lock nut M8 | Gegenmutter M8 | |
| 16 | 22052007 | Låsemøtrik M16 FZB | Lock nut M16 | Gegenmutter M16 | |
| 17 | 22077160 | Rustfri møtrik M10 | Rustproof nut M10 | Rustfrei mutter M10 | |
| 18 | 23006250 | Gaffelende A10x40 | Forkend A10x40 | Gabelende A10x40 | |
| 19 | 23006251 | ES bolt 10x40 f.23006250 | ES bolt 10x40 | ES Bolz 10x40 | |
| 20 | 24000760 | Beslag f.bremsekabel | Fitting f. brakecable | Beschlag f. bremsenkabel | |
| 21 | 24000771 | Møtrik f.bremsekabel M10 | Nut for brake cable M10 | Mutter für Bremsekable M10 | |
| 22 | 24020000 | Træk med påløbsbremse og kugle | Drag with overrun brake | Zugstange mit Bremse | |
| 23 | 29004000 | Støttehjul f vario | Steadying wheel | Stützrad | |
| 24 | 29004001 | Konsol f.støttehjul | Consol for steadying wheel | Konsole für Stützrad | |
| 25 | V3330040 | Trækstang, kuglekobling med br | Tension rod coupling with brak | Zugstange, kugelkupplung mit B | |
| 26 | V3330104 | Arm for bremsestang | Lever for brake rod | Arm für Bremsegestänge | |
| 27 | V3330105 | Bremsestang, kort | Brakerod short | Bremsegestänge kurz | |
| 28 | V3330106 | Bremsestang, lang | Brakerod, long | Bremsegestänge lange | |
| 29 | 22008505 | Satskrue M12x35 8.8 fzb | Set screw M12x35 | Satzschraube M12x35 | |
| 30 | 29004011 | Konsol f.støttehjul KMV/DK | Console f. steadying wheel | Konsole f. stützrad | |
| 31 | V3330045 | Justerbart træk svejst | Adjusable tension | Ajuflaufeinrichtung höhenverst | |
| 32 | 22077160 | Rustfri møtrik M10 | Rustproof nut M10 | Rustfrei mutter M10 | |
| 33 | 22002305 | Mask. bolt M12x70 8.8 fzb | Machine Bolt M12x70 | Maschine Bolzen M12x70 | |
| 34 | 29003311 | Kuglekobling 50mm 1600kg | Ball coupling 50 mm 1600 kg | Kugel kuppeln 50 mm 1600kg | |
| 35 | V3330042 | Trækstang, kuglekobling uden b | Tension rod ballcoupling witho | Zugstange kugelkuppeln ohne Br | |
| 36 | V3330043 | Trækstang, prodseje uden brems | Tension rod, without brake | Zugstange, zugöse ohne Bremse | |
| 37 | 22058610 | Skive M12 ø23/ø13x2,5 FZB | Disc M12 | Scheibe M12 | |
| 38 | 22058704 | Skive M16 FZB 30/17X3 | Washer M16 | Scheibe M16 | |
| 40 | V3332000 | Holder for støttehjul, KMV | Holder f. steadying wheel | Halterung f. Stützrad | |
| 41 | V3330128 | Bremsestang til indstillig træ | Braking pole f. adjust. pull | Bremsenstange f. verstellbar z | |
| 42 | 24000752 | Bremsekabel L=890 ALKO | Braking cable L=930 | Bremsenkabel L=930 | |
| 43 | 22002508 | Mask. bolt M16x90 8.8 fzb | Machine bolt M16x90 | Maschine Bolzen M16x90 | |



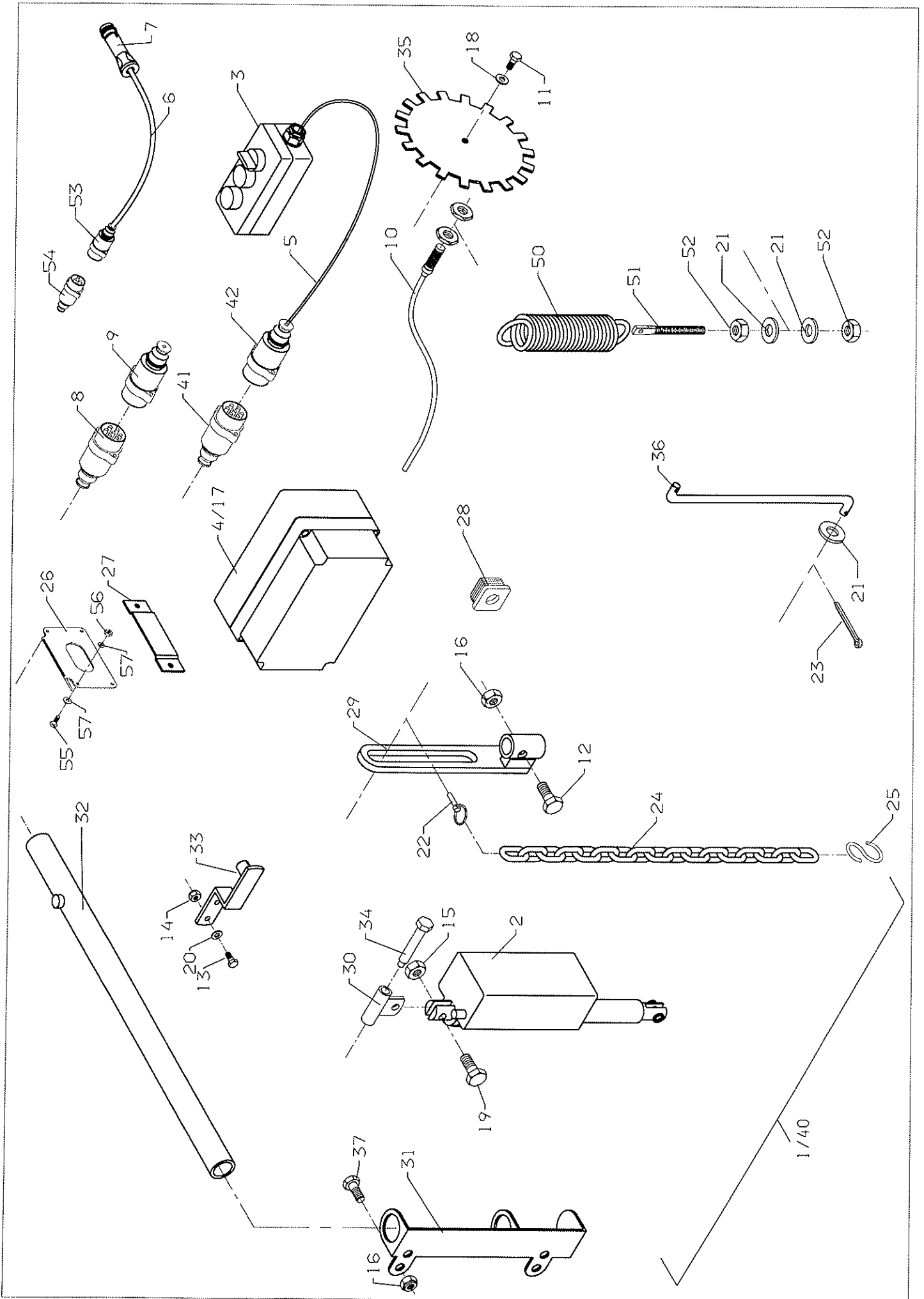
Vario 1200

| | Hydr. fjernbetjening | Hydr. remote control | Hydr. Fernbedienung | |
|-----|----------------------|--------------------------------|---------------------------------|--------------------------------|
| Pos | Res.no. | | Note | |
| 1 | V3300031 | Sæt, hydr. fjernbetjening f. V | Set, hydraulisch remote control | Satz, Hydr. Fernbedienung - Va |
| 2 | 21000020 | Filterprop 3/8" | Filter plug 3/8" | Filter Pfropfen 3/8" |
| 3 | 21000402 | Hankobling 1/2" sterling | Male coupling 1/2" | Hydr. Anschluss Aus.g. 1/2" |
| 4 | 21000403 | Hankobling 3/8" sterling | Male coupling 3/8" | Hydr. Anschluss Aus.g. 3/8" |
| 5 | 21000700 | Hydr. vinkel Ø12 m/oml x 3/8" | Hydr. elbow | Hydr. Winkel |
| 6 | 21000806 | Hydr. brystnippel 3/8"xØ12 | Hydr. hexagon nipple 3/8"xØ12 | Hydr. Reduziernippel 3/8"xØ12 |
| 7 | 21000810 | Brystnippel 1/2"xØ12oml | Hexagon nipple 1/2"xØ12oml | Reduziernippel 1/2"xØ12oml |
| 8 | 21033332 | Hydr. slange Ø1/4"x3200 | Hydr. hose Ø1/4"x3200 | Hydr. Schlauch Ø1/4"x3200 |
| 9 | 21062101 | Pakring 3/8" | Seal Ring 3/8" | Dichtring 3/8" |
| 10 | 21062102 | Pakring 1/2" | Seal Ring 1/2" | Dichtring 1/2" |
| 11 | 21092300 | Hydr. cyl. NH25-0-SD-40/20x150 | Hydr. cylinder | Hydr. Zylinder |
| 11 | 21000117 | Pakningssæt NH25-40/20 dobb. | Gasketset NH25-40/20 D | Dichtsatz NH25-40/20 D |
| 12 | 22077001 | Rustfri sætskrue M8x16 | Rustproof setscrew M8x16 | Rostfrei Satzschraube M8x16 |
| 13 | 22077202 | Rustfri fjederskive M8 | Rustproof spring washer M8 | Rostfrei Federscheibe M8 |
| 14 | 22077535 | Rustfri skive Ø24/Ø8,4x2 | Rustproof washer | Rostfrei Scheibe |
| 15 | V3308107 | Bøsning for hydraulikcylinder | Bush for hydr. cylinder | Buchse für Hydr. Zylinder |



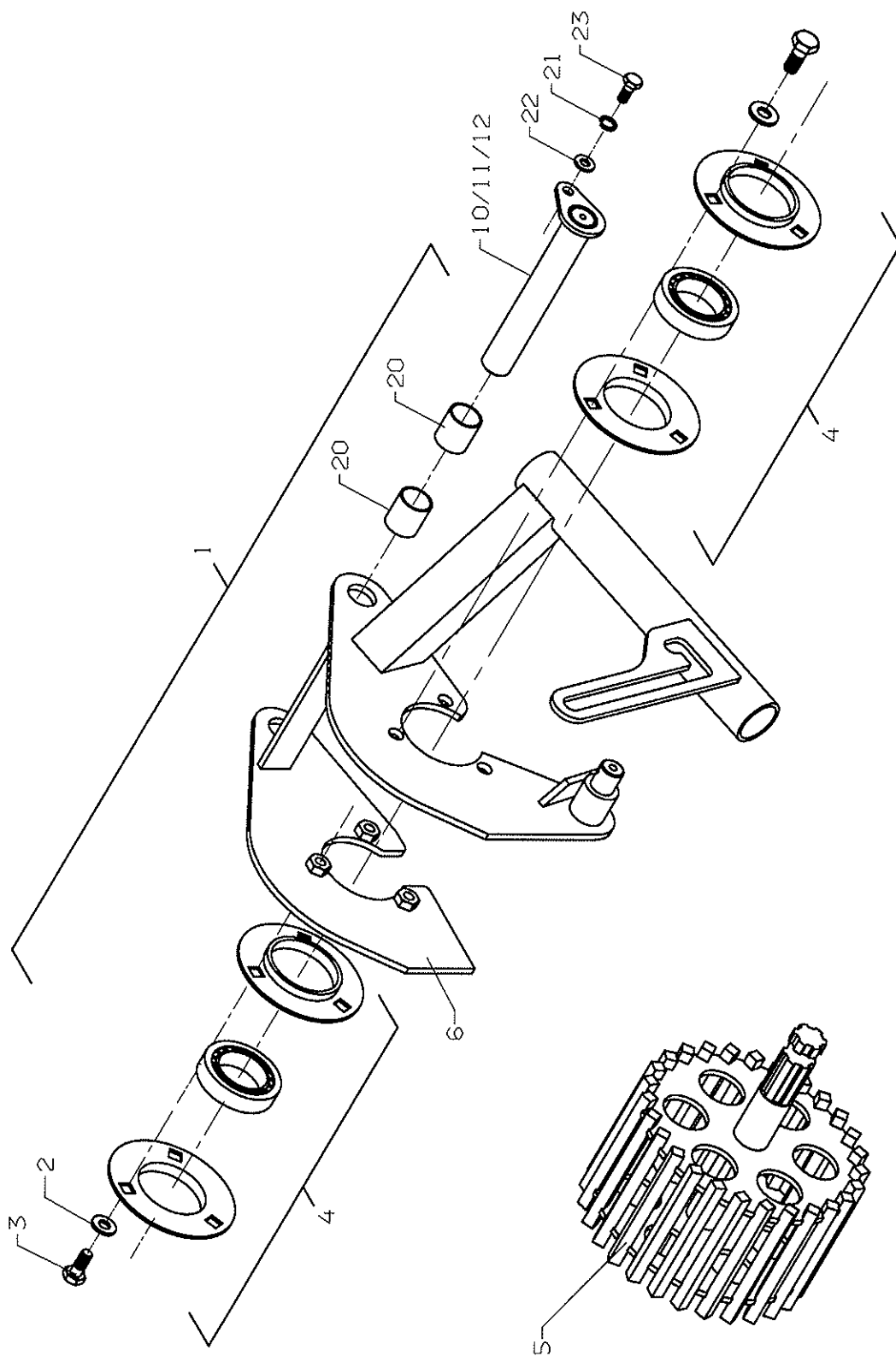
Vario 1200

| | El. Fjernbetjening | El. remote control | El. fernbedienung | |
|-----|--------------------|--------------------------------|--------------------------------|--------------------------------|
| Pos | Res.no. | | | Note |
| 1 | v3300030 | Sæt, 12 V El fjernbetj. Vario | Set, elect. remote control 12V | Satz, El. Fernbedienung 12 V, |
| 1 | V3300032 | Sæt, 24 V El fjernbetj. Vario | Set, elect. remote control 24V | Satz, El. Fernbedienung 24 V, |
| 2 | 20000010 | Linak LA28.2B-150-12VDC-001 IP | | |
| 2 | 20000003 | Linak LA28.3SB-150-24VDC-001 | El-control | El.-Steuerung |
| 2 | 20000055 | Gummibælg for linak | | |
| 3 | 20000060 | 24 V Betjeningsbox for Linak | Box for LA28 | Box für LA28 |
| 3 | 20000062 | 12 V Betjeningsboks for linak | Box | Box |
| 4 | 20000081 | Box m. aftaster, 24 VDC | Box mounted | Box montiert |
| 4 | 20000080 | 12 V Box m/aftaster Vario 1200 | Box mounted | Box montiert |
| 5 | 20010002 | Kabel 7x1.0 kv. nr. LGP 7-100 | Cable 7x1.0 | Kabel 7x1.0 |
| 6 | 20010006 | Kabel 2X4kv LOP 2-400 | Cabel 2x4kv | Kabel 2x4kv |
| 7 | 20010200 | Hanstik 2-polet universal | Plug Socket KS 2243 | Stecker KS 2243 |
| 8 | 20010201 | 7-polet hanstik KS 6607 | Plug socket KS 6607 | Stecker KS 6607 |
| 9 | 20010206 | 7-polet hunstik KS 6607-A | Socket KS 6607-A | Steckdose KS 6607-A |
| 10 | 20012400 | Induktiv aftaster M12x50 taste | Inductive tracking M12x50 | Induktionsspule M12x50 |
| 11 | 22077001 | Rustfri sætskrue M8x16 | Rustproof setscrew M8x16 | Rostfrei Satzschraube M8x16 |
| 12 | 22077019 | Rustfri bolt M12x45 | Rustproof bolt M12x45 | Rostfrei Bolt M12x45 |
| 13 | 22077025 | Rustfri sætskrue M6x20 | Stainless setscrew M6x20 | Rostfrei Satzschraube M6x20 |
| 14 | 22077102 | Rustfri låsemøtrik M6 | Stainless locking nut M6 | Rostfrei Gegenmutter M6 |
| 15 | 22077104 | Rustfri låsemøtrik M10 | Stainless lock nut M10 | Rostfrei Gegenmutter M10 |
| 16 | 22077105 | Rustfri låsemøtrik M12 | Stainless locking nut M12 | Rostfrei Gegenmutter M12 |
| 17 | 22077110 | Rustfri krydskærvskrue PH M4x1 | Rustproof screw PH M4x16 | Rostfrei Schraube PH M4x16 |
| 18 | 22077202 | Rustfri fjederskive M8 | Rustproof spring washer M8 | Rostfrei Federscheibe M8 |
| 19 | 22077439 | Rustfri sætskrue M10x35 | Rustproof setscrew M10x35 | Rostfrei Satzschraube M10x35 |
| 20 | 22077522 | Rustfri skive M6 ø18/ø6,4x1,6 | Stainless washer M6 | Rostfrei Scheibe M6 |
| 21 | 22077554 | Rustfri skive ø30/ø10,5x2,5 | Rustproof washer | Rostfrei Federscheibe |
| 22 | 23006000 | Traktorsplit Ø4,5x40 | Split pin ø4,5x40 | Splint ø4,5x40 |
| 23 | 23006061 | Split Ø4x36 FZB | Split pen Ø4x36 | Splint Ø4x36 |
| 24 | 27000120 | Rustfri kæde LL3,0x26x5,5 | Rustproof S-hook | Rostfrei S-Haken |
| 25 | 27000160 | Rustfri S-hage nr.30 | Rostproof S-hook nr. 30 | Rostfrei S-Haken nr. 30 |
| 26 | V1307102 | Konsol for styreboks | Console f.Steering box | Konsole f.Steuerhaus |
| 26 | V1307107 | Konsol for styreboks | Consol f. Steerings box | Konsol f. Streuerhaus |
| 27 | V1307103 | Vægkonsol f. styreboks 2x35x13 | Wall bracket f. steering box | Wandkonsole f. steuerhaus |
| 27 | 22032007 | Selvskærende skrue 5.5x19 | Self-cutting screw 5.5x19 | Selbschneidend Schraube 5.5x19 |
| 28 | V3325000 | Gennemføring af ledning | Leadin of cable | Durchführung für kable |
| 29 | V3331041 | Styr f Linak sv. Vario 1200 | Guide for Linak | Steuer für Linak |
| 30 | V3331042 | Beslag for Linak, svejst | Fitting for Linak | Beschlag für Linak |
| 31 | V3331045 | Beslag for rør, svejst | Fitting for pipe | Beschlag für Rohr |
| 32 | V3331046 | Håndtag for nødbetjening, svej | Handle for emergency | Handgriff für Notbedierung |
| 33 | V3331047 | Beslag for Linak, svejst | Fitting for Linak | Beschlag für Linak |
| 34 | V3331108 | Bolt for Linak beslag | Bolt for Linakfitting | Bolzen für Linakbeschlag |
| 35 | V3331111 | Aftastningsskive | Trackingwasher | Kontrollscheibe |
| 36 | V3331126 | Stang for nødbetjening, lang | Pole f. emrgency operation | Stange f. notbedienung |
| 37 | 22077018 | Rustfri sætskrue M12x35 | Rustproof setscrew M12x35 | Rostfrei Satzschraube M12x35 |
| 40 | V3300033 | Sæt, El fjernbetj. 12V til las | Set, elect. remote control for | Satz, El. Fernbedienung für LK |
| 41 | 20010212 | 7-polet hanstik SPEC. | 7-polet male plug SPEC. | 7-polet Stecker SPEC. |



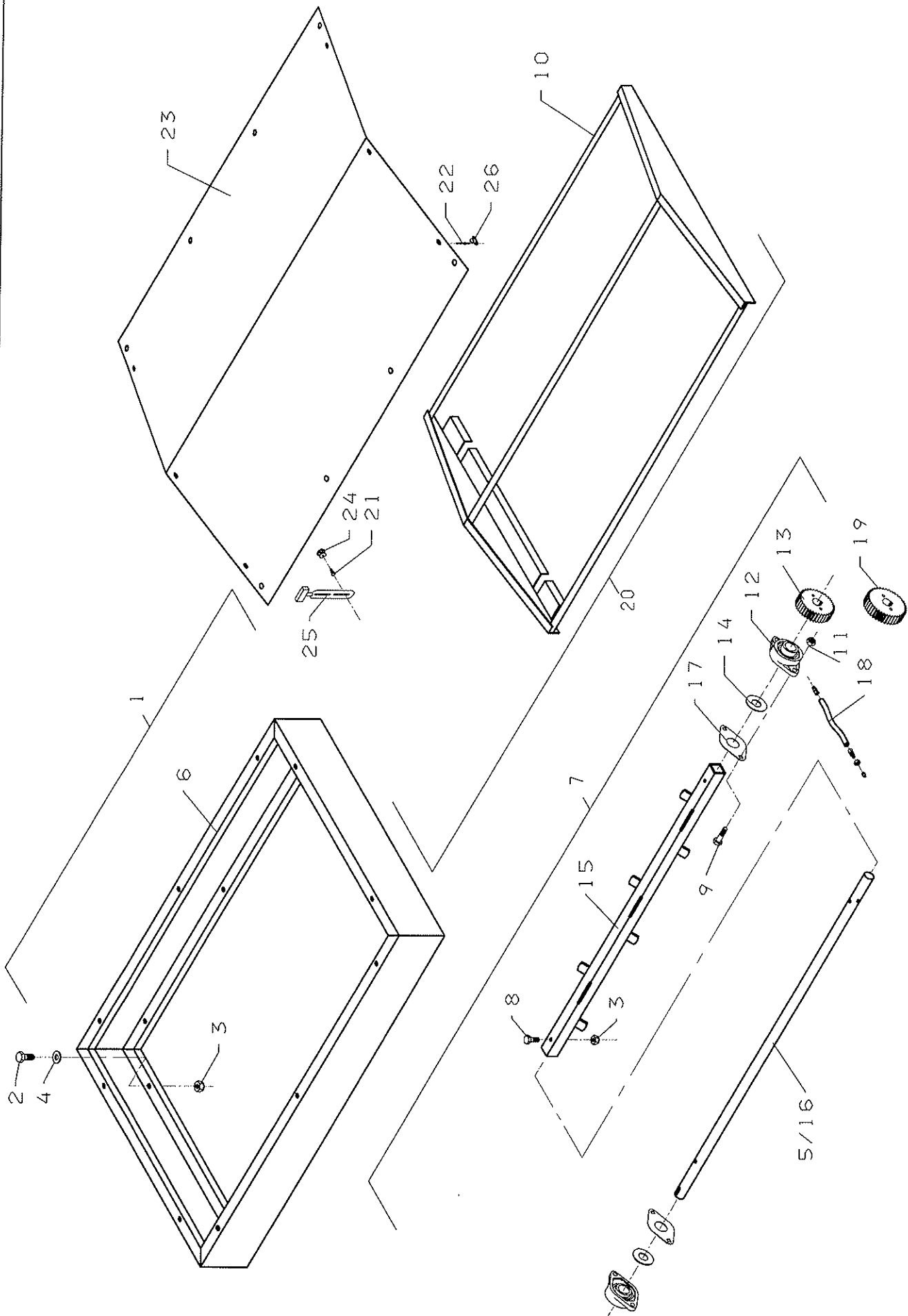
Vario 1200

| | El. Fjernbetjening | El. remote control | El. fernbedienung | |
|-----|--------------------|--------------------------------|---------------------------|----------------------------|
| Pos | Res.no. | | Note | |
| 42 | 20010213 | 7-polet hunstik SPEC. | 7-polet female plug SPEC. | 7-polet Steckdose SPEC. |
| 50 | 23006316 | Trækfjeder | Tension spring | Zugfeder |
| 51 | V3321000 | Strammebolt for fjeder | Tightenbolt for spring | Strammholz für Feder |
| 52 | 22077160 | Rustfri møtrik M10 | Rustproof nut M10 | Rustfrei mutter M10 |
| 53 | 20010205 | 3-polet hunstik nr. 6603-A | Socket No. 6603-A | Steckdose Nr. 6603-A |
| 54 | 20010204 | 3-polet hanstik nr. 6603 | Plug socket No. 6603 | Stecker Nr. 6603 |
| 55 | 22077110 | Rustfri krydskærsvkrue PH M4x1 | Rustproof screw PH M4x16 | Rostfrei Schraube PH M4x16 |
| 56 | 22077111 | Rustfri møtrik M4 | Rustproof mut M4 | Rostfrei mutter M4 |
| 57 | 22077112 | Rustfri skive M4 ø4,3/ø11x0,5 | Rustproof Washer M4 | Rostfrei Scheibe M4 |



Vario 1200

| Pos | Res.no. | Trækjul, najle mont. | Drivewheel | Zugrad | Note |
|-----|----------|--------------------------------|-------------------------------|-------------------------------|------|
| 1 | V3307000 | Trækjul og arm, mont. | Drivewheel and lever. mounted | Zugrad und Arm, montiert | |
| 2 | 22077550 | Rustfri skive M10 ø18/ø10,5x1, | Rustproof washer M10 | Rostfrei Scheibe M10 | |
| 3 | 22077440 | Rustfri sætskrue M10x25 | Rustproof screw M10x25 | Rostfrei Schraube M10x25 | |
| 4 | 25020110 | 3-hulsplade flangeleje Ø30 | Plate for flanged bearing ø30 | Platte für Flanschenlager ø30 | |
| 5 | V3307040 | Trækjul, svejst | Drivewheel | Zugrad | |
| 6 | V3308000 | Arm for trækjul | Lever for drivewheel | Arm for Zugrad | |
| 10 | V3309000 | Nagle for konsol, mont. | Nail for consol, mounted | Nagel für Konsoll, montiert | |
| 11 | V3309040 | Nagle for konsol, svejst | Nail for consol | Nagel für Konsoll | |
| 12 | 21060000 | Smørenippel M6x1 lige | Grease nipple M6x1 | Schmiernippel M6x1 | |
| 20 | 25040000 | BM-bøsning FB 25/28x30 | Busch 25/28x30 | Buchse 25/28x30 | |
| 21 | 22077202 | Rustfri fjederskive M8 | Rustproof spring washer M8 | Rostfrei Federscheibe M8 | |
| 22 | 22077535 | Rustfri skive ø24/ø8,4x2 | Rustproof washer | Rostfrei Scheibe | |
| 23 | 22077012 | Rustfri sætskrue M8x20 | Rustproof setscrew M8x20 | Rostfrei Satzschraube M8x20 | |



Vario 1200

| Pos | Res.no. | Ekstra udstyr | Extra | Extra | Note |
|-----|----------|--------------------------------|--------------------------------|--------------------------------|------|
| 1 | V3300020 | Sæt, overbygning 200 L, Vario | Set, hopper extention 200 ltr. | Satz, Behälteraufsatz 200 L, V | |
| 2 | 22077012 | Rustfri sætskrue M8x20 | Rustproof setscrew M8x20 | Rostfrei Satzschraube M8x20 | |
| 3 | 22077103 | Rustfri låsemøtrik M8 | Rustproof lock nut M8 | Rostfrei Gegenmutter M8 | |
| 4 | 22077535 | Rustfri skive ø24/ø8,4x2 | Rustproof washer | Rostfrei Scheibe | |
| 5 | 23000506 | Feder 8x7x30 form A | Key 8x7x30 form A | Feder 8x7x30 form A | |
| 6 | V3331040 | Overbygning, svejst | Hopper extention | Behälter Aufsatz | |
| 7 | V3300021 | Sæt, ekstra omrører for Vario | Set, extra stirrer Vario 1200 | Satz, Extra Umrührwelle Vario | |
| 8 | 22077003 | Rustfri sætskrue M8x50 | Rustproof setscrew M8x50 | Rostfrei Satzschraube M8x50 | |
| 9 | 22077008 | Rustfri sætskrue M10x30 | Rustproof setscrew M10x30 | Rostfrei Satzschraube M10x30 | |
| 10 | V3331049 | Ramme for presenning, Vario 12 | Frame for cover, Vario 1200 | Rahmen für Abdeckplane, Vario | |
| 11 | 22077104 | Rustfri låsemøtrik M10 | Rustproof lock nut M10 | Rostfrei Gegenmutter M10 | |
| 12 | 25020200 | Flangeleje UCFL 206 Ø30 | Flanged bearing 206 | Flanschenlager 206 | |
| 13 | 26025406 | Tandhjul M3-Z=36 ø30H7 N+SK | Gear-wheel M3-Z36 | Zahnrad M3-Z36 | |
| 14 | V2018000 | Gummipakning for leje | Rubber packing | Gummi Dichtung | |
| 15 | V3303040 | Omrører, svejst | Stirrer | Süchwelle | |
| 16 | V3303103 | Aksel for ekstra omrører | Shaft for extra agitator | Welle für extra Umrührwelle | |
| 17 | V3322000 | Plade for tætning, UCFL 206 le | Sheet for packing | Platte für dichtung | |
| 18 | V3319000 | Lang rør for smøring, mont. | Long pipe | Lange Rohr | |
| 19 | 26025407 | Tandhjul M3-Z=40 ø30H7 N+SK | Gear-wheel M3-Z40 | Zahnrad M3-Z40 | |
| 20 | V3300022 | Sæt, presenning Vario 1200 | Set, cover Vario 1200 | Satz, Abdeckplane Vario 1200 | |
| 21 | 22032006 | Selvskærende skrue 4.2x25 | Self-cutting screw 4.2x25 | Selbschneidend Schraube 4.2x25 | |
| 22 | 23005250 | Rh. blindn. All/st 73 AS 4-6 | Blind rivet 73 AS | Blindniet 73 AS | |
| 23 | 29003013 | Presenning, Vario 1200 | Cover Vario 1200 | Abdeckplane Vario 1200 | |
| 24 | 29003021 | Stropholder | Loopholder | Riemenhalter | |
| 25 | 29003022 | Strop f. presenning kort 2-hul | Loop | Riemen | |
| 26 | 29003023 | Små vrider til presenning | Handscrew | Schlissschraube | |