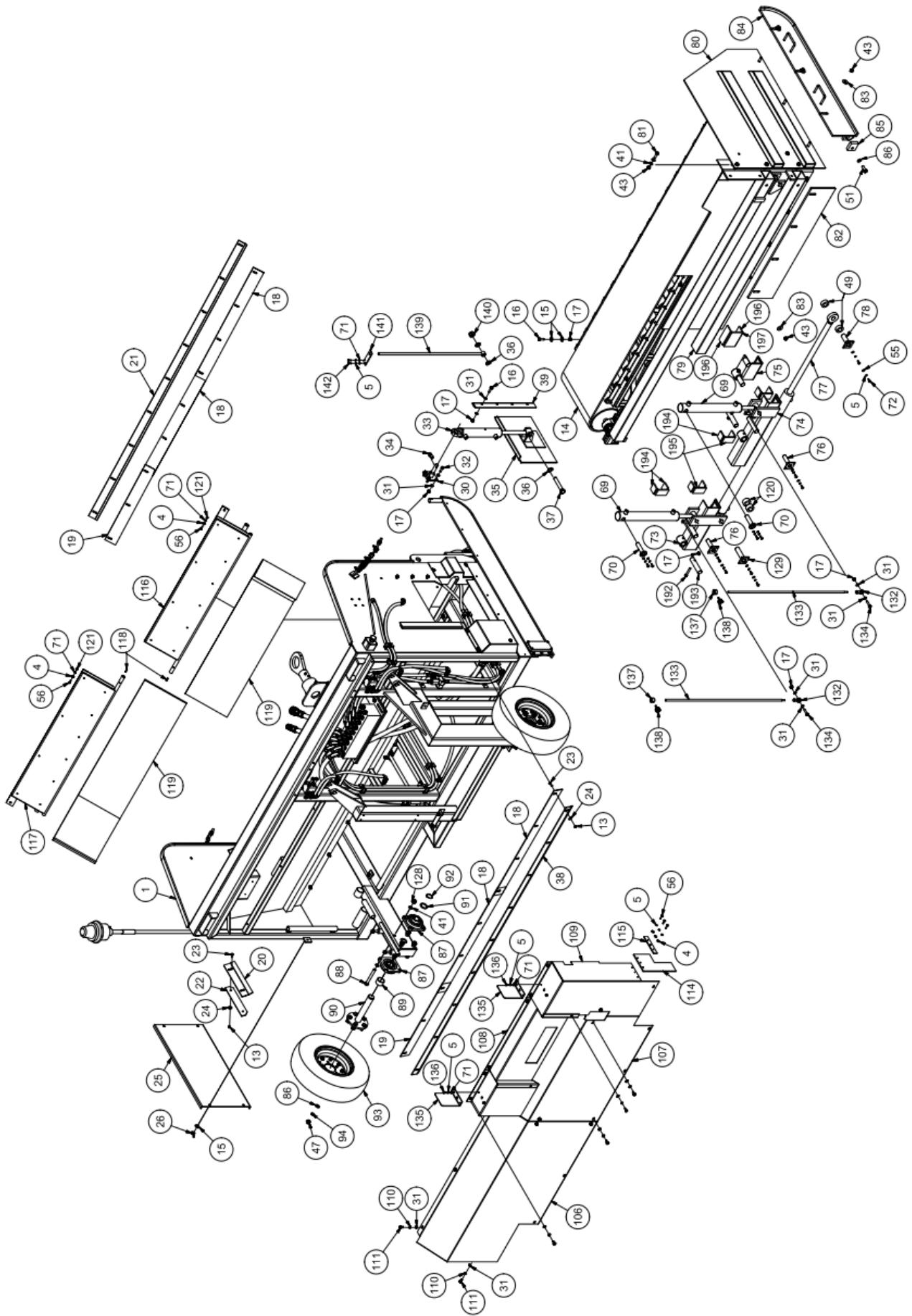
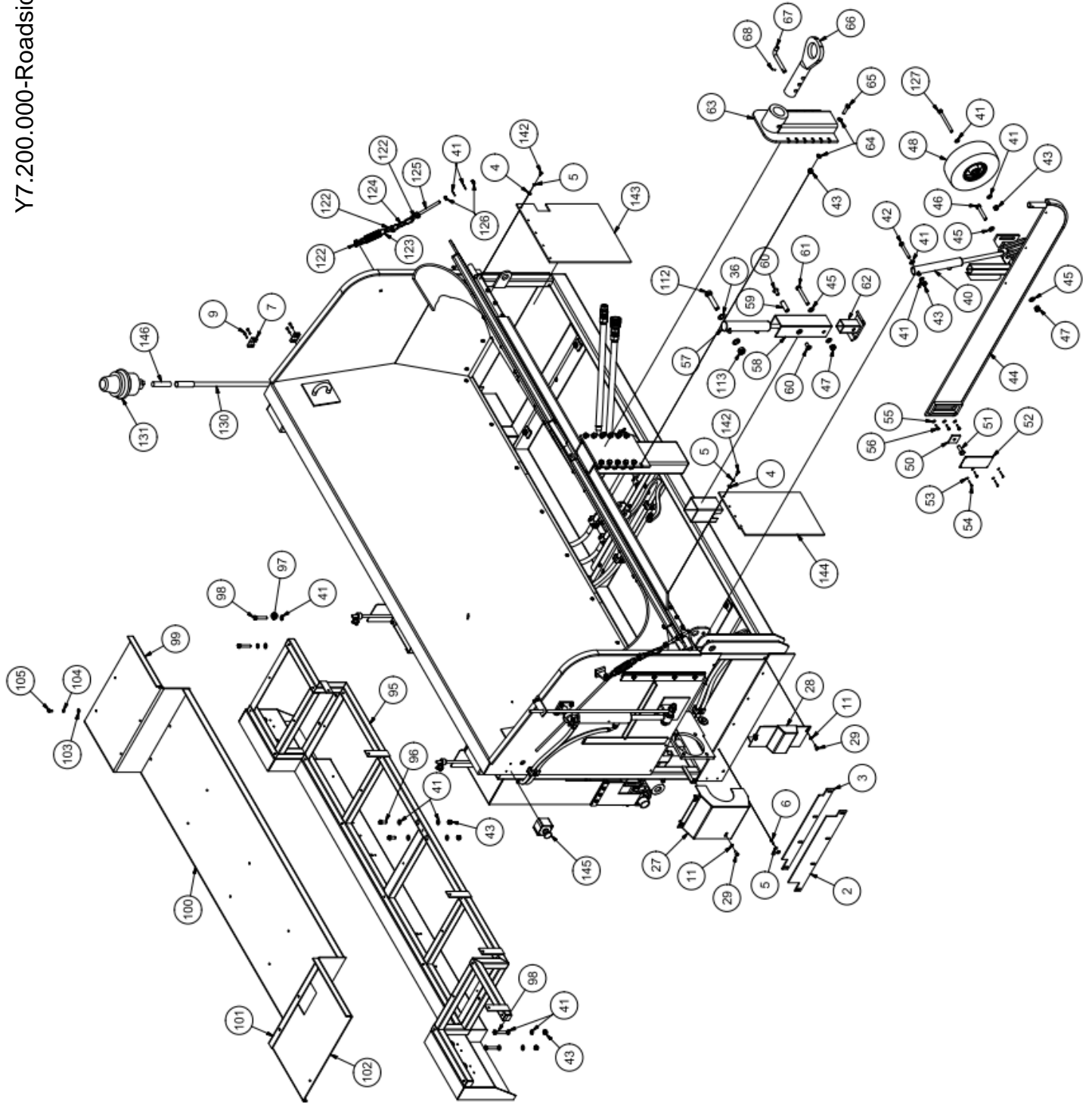


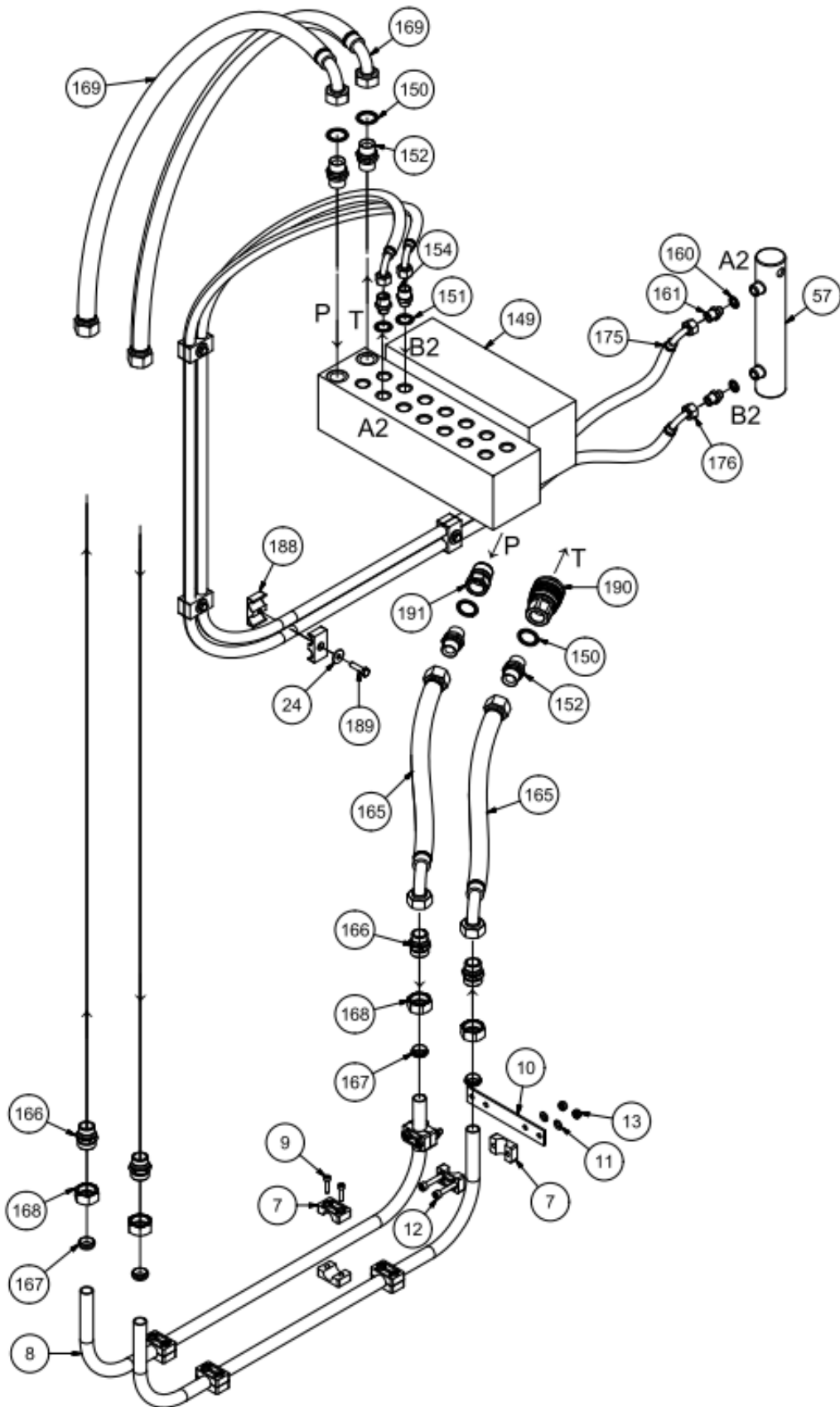
### 13. Spare part list

Typing.	Fabrikationsnr.:
Type no.:	Prod. no.:
Ballart nr.: _____	Prod. nr.: _____
Årgang:	Max. arb. tryk:
Year:	Max. pressure:
Jahr: _____	Max. Druck: _____
Egenvægt:	Spænding:
Own weight:	Voltage:
Eigengewicht: _____	Spannung: _____
Max. last:	
Max. load:	
Max. Last: _____	

Y7.200.000-Roadside Paver BM2550HU1

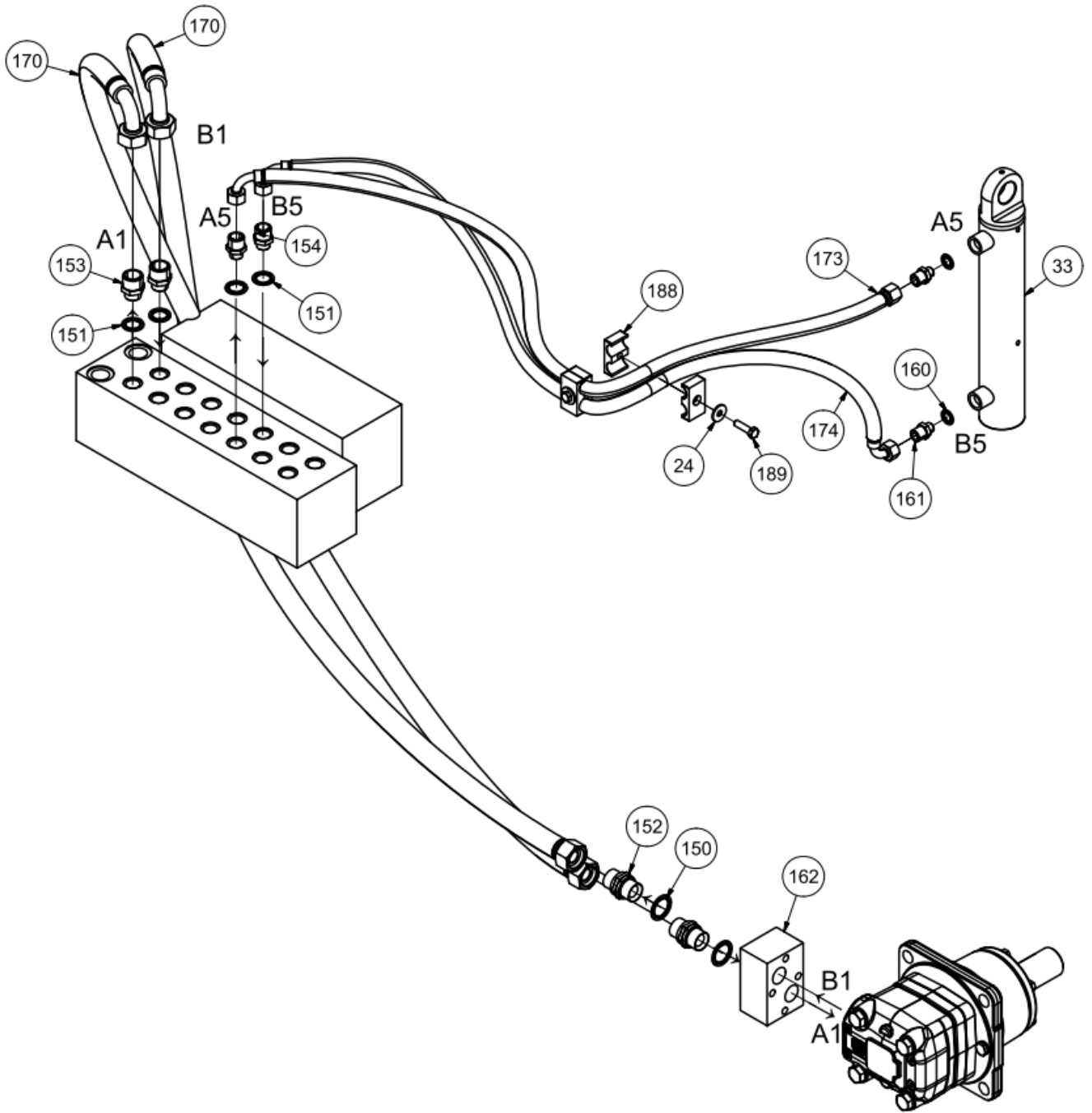






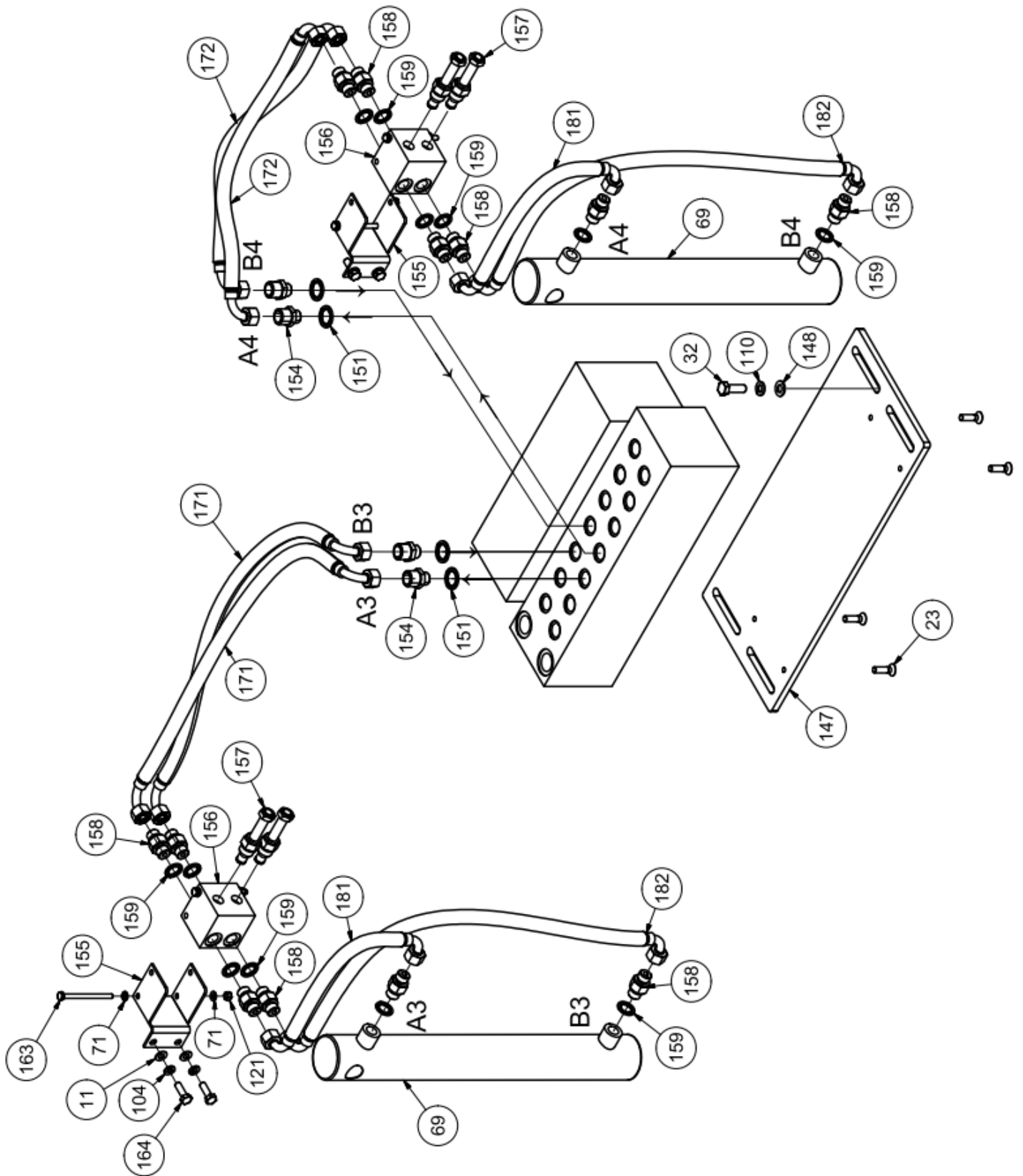
Note:

- P-input PVG valve;
- T-output PVG valve;
- A2-input parking cylinder;
- B2-output parking cylinder;



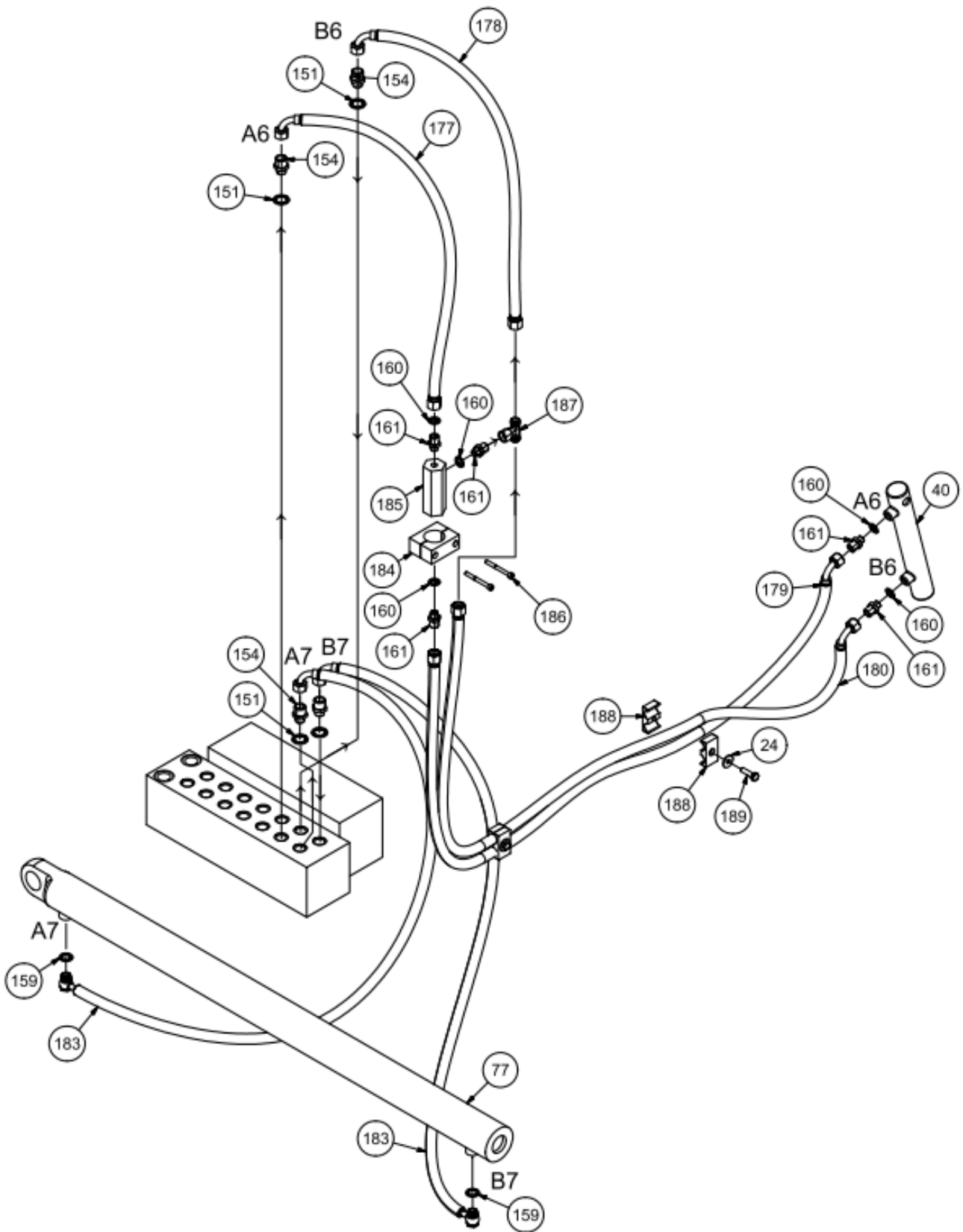
Note:

- A1-input hydraulic motor;
- B1-output hydraulic motor;
- A5-input hatch cylinder;
- B5-output hatch cylinder.



Note:

A3-input left cylinder;  
 B3-output left cylinder;  
 A4-input right cylinder;  
 B4-output right cylinder.



Note:

A6-input sideshare cylinder;  
 B6-output sideshare cylinder;  
 A7-input bucket in cylinder;  
 B7-output bucket out cylinder.

# Y7200000 BM2550 HU1 Roadside paver

BOM version: BOM05106715

X =See separate drawing

Pos.	Item number	Description	
001	Y7200040	Welded frame HU1	
002	Y7100226	Bottom rubber	
003	Y7100225	Support plate for rubber	
004	22058401	M6 140HV FZB DIN9021A/ ISO7093 Flat Washer	
005	22056100	M6 SS HDG DIN128A Spring Lock Washer curved	
006	22008205	M6x20 8.8 FZB DIN933/ ISO4017 Hex Cap Screw	
007	21040022	Hose holder Ø22 - 2buc	
008	Y7200325	Flow tube Ø22xØ18x802-AISI316	
009	22081127	M6x25 A2 kl.70 DIN912/ ISO4762 Socket Head Cap Screw	
010	Y7200224	Fixing plate for flow tube	
011	22058409	Washer M8 Ø16/ Ø8,4x1,6 FZB	
012	22081127	M6x25 A2 kl.70 DIN912/ ISO4762 Socket Head Cap Screw	
013	22052003	M8 6 FZB DIN985 Prevailing Torque Hex Nut with polyamid inserted	
014	Y7200021	Complete conveyor assembly	X
015	22058700	M10 140HV FZB DIN9021A/ ISO7093 Flat Washer	
016	22008405	M10x35 8.8 FZB DIN933 Hex Cap Screw	
017	22052004	M10 6 FZB DIN985 Prevailing Torque Hex Nut with polyamid inserted	
018	Y7200138	Edge seal for RBU, large	
019	Y7200191	Edge seal for RBU, medium	
020	Y7200190	Edge seal for RBU, small	
021	Y7200136	Fixing plate for rubber	
022	Y7100146	Fixing rubber plate	
023	22014402	M8x25 10.9 RAW DIN7991/ ISO10642 Hexagon Socket Countersunk	
024	22058600	M8 140HV FZB DIN9021A/ ISO7093 Flat Washer	
025	Y7100224	Left cover	
026	22077131	Wing Nut cold formed M10 FZB	
027	Y7200073	Cover for motor	
028	Y7200074	Bearing's cover	
029	22008303	M8x20 8.8 FZB DIN933/ ISO4017 Hex Cap Screw	
030	Y7200076	Support for cylinder door	
031	22058410	M10 140HV FZB DIN 125 ISO7090 Flat Washer	
032	22008404	M10x30 8.8 FZB DIN933 Hex Cap Screw	
033	21097706	Hydr. cyl. dobb. ø25/40x250	
034	23006000	ø4,5x33x35 SS FZB Spring Cotter for bolt	
035	Y7200077	Release dor	
036	22058802	M20 140HV FZB DIN 125 ISO7090 Flat Washer	
037	22008911	Set screw M20x120 class 8.8 FZB	

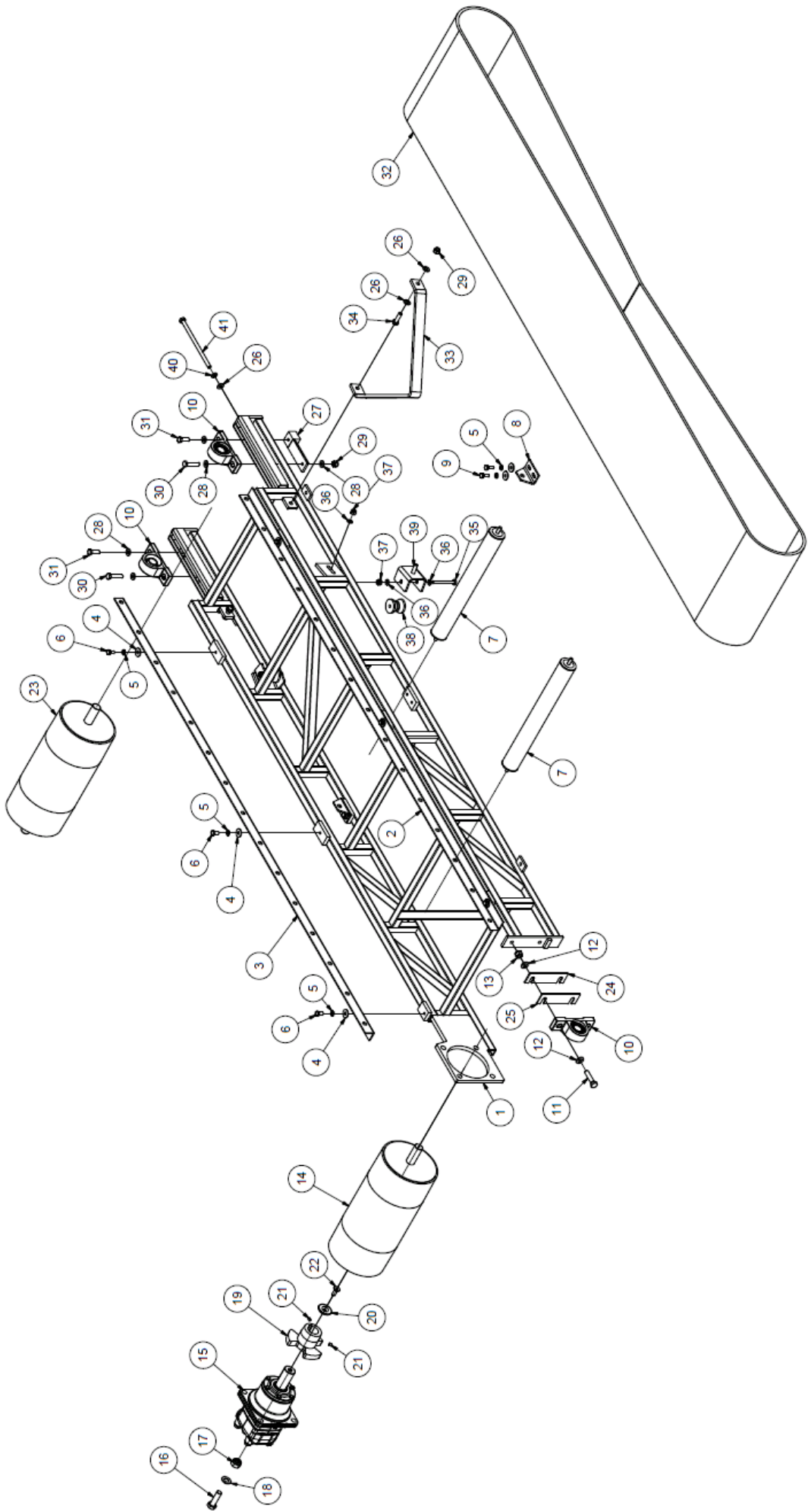


038	Y7200137	Fixing plate for rubber	
039	Y7200051	Slide door support right side	
040	21097708	Hydr. cyl. dobb $\phi$ 16/32/x150	
041	11011312	M12 140HV FZB DIN125A/ ISO7089 Flat Washer	
042	22008515	M12x130 8.8 FZB DIN933 Hex Cap Screw	
043	22052005	M12 6 FZB DIN985 Prevailing Torque Hex Nut with polyamid inserted	
044	Y7200075	Inner skid pad HU1	
045	22058502	M14 140HV RAW DIN125 ISO7090 Flat Washer	
046	22006613	M14x85 8.8 DIN931 Hex Cap Screw	
047	22052006	M14 6 FZB DIN985 Prevailing Torque Hex Nut with polyamid inserted	
048	24050104	Wheel GK10, 13x95 massiv	
049	Y7200360	Cylinder spacer	
050	Y7200203	Support plate	
051	22008603	M14x40 8.8 FZB DIN933 Hex Cap Screw	
052	Y7200326	Cover plate	
053	22058404	M4 10x4,3x0,8 8.8 FZB DIN1440 Flat Washer for clevis pin	
054	22008005	Set screw M4x30 8.8 fzb	
055	22058403	1/4" 16x6,5x1 8.8 FZB DIN1440 Flat Washer for clevis pin	
056	22008206	M6x25 8.8 FZB DIN933/ ISO4017 Hex Cap Screw	
057	21090000	Hydr. cyl. dobb. $\phi$ 25/40x200	
058	Y7200092	Assembly parking leg	
059	Y7200340	Fixing tube for parking leg	
060	22014660	Screw M14x30 8.8 UH FZB	
061	22002408	M14x110 8.8 FZB DIN931 Hex Cap Screw	
062	Y7200080	Sky pad HU1	
063	Y7200083	Connection sysytem to tractor	
064	22058610	M12 140HV FZB DIN 125 ISO7090 Flat Washer	
065	22002300	M12x45 8.8 FZB DIN931 Hex Cap Screw	
066	Y7200084	Connection to the tractor	
067	Y7200366	Locking pin	
068	23004203	$\phi$ 4x20 420-560HV RAW DIN1481/ ISO8752 Spring Pin (Rolled pin)	
069	21097707	Hydr. cyl. dobb. $\phi$ 30/50x350	
070	Y7200072	Axe for cylinder	
071	22058400	M6 140HV FZB DIN125A/ ISO7089 Flat washer	
072	22002099	Mask. bolt M6x20 8.8 fzb	
073	Y7200066	Middle locking mechanism	
074	Y7200067	Large locking mechanism	
075	Y7200068	Small locking mechanism	
076	Y7200071	Axe for cylinder	
077	21097709	Hydr. cyl. dobb $\phi$ 60x35 slag lgd 1000mm	
078	Y7200069	Shaft for cylinder	
079	Y7200064	Back side sledge side	
080	Y7200078	Right side cover	
081	22008506	M12x40 8.8 FZB DIN933 Hex Cap Screw	
082	Y7200202	Support plate	
083	22058429	Flat washer $\phi$ 12 FZB 13x37x3	
084	Y7200079	Outer skid pad HU/HU1	

085	Y7200225	Lap plate	
086	22058424	Flat washer $\varnothing$ 14 FZB 15x28x2,5	
087	25020104	Bearing UCF 208- $\varnothing$ 40	
088	22002513	M16x130 8.8 FZB DIN931/ ISO4014 Hex Cap Screw	
089	Y7200217	Bush for wheel	
090	Y7200086	Shaft for supporting wheels	
091	Y7200218	Ring for wheel shaft	
092	23005138	Retaining rings for shafts	
093	Y7200011	Kit set for masive wheel	
094	22056451	M14 SS FZB DIN128A Spring Lock Washer curved	
095	Y7200087	Back side frame welding	
096	22008504	M12x30 8.8 FZB DIN933 Hex Cap Screw	
097	22056400	M12 SS FZB DIN128A Spring Lock Washer curved	
098	22002304	M12x65 8.8 FZB DIN931 Hex Cap Screw	
099	Y7200354	Plate for back frame	
100	Y7200355	Middel plate for back frame	
101	Y7200357	Plate for back frame	
102	Y7200356	Right side plate for back frame	
103	22058402	M8 140HV FZB DIN125 ISO7090 Flat Washer	
104	22056200	M8 SS HDG DIN128A Spring Lock Washer curved	
105	22008302	M8x16 8.8 FZB DIN933/ ISO4017 Hex Cap Screw	
106	Y7200091	Left side back plate	
107	Y7200090	Middle cover second part	
108	Y7200088	Middle cover plate	
109	Y7200089	Left side cover plate	
110	22056300	M10 SS FZB DIN128A Spring Lock Washer curved	
111	22008402	M10x20 8.8 FZB DIN933 Hex Cap Screw	
112	22008909	Set Screw M20x100 DIN933 gr. 8.8 FZB	
113	22052009	M20 6 FZB DIN985 Prevailing Torque Hex Nut with polyamid inserted	
114	Y7200389	Rubber protection	
115	Y7200388	Rubber fixing plate	
116	Y7200081	Front door left side RBU	
117	Y7200082	Front door right side RBU	
118	23004400	$\varnothing$ 6x30 420-560HV RAW DIN1481/ ISO8752 Spring Pin (Rolled pin)	
119	Y7200385	Rubber door	
120	Y7200359	Cylinder spacer	
121	22052002	M6 6 FZB DIN985 Prevailing Torque Hex Nut with polyamid inserted	
122	22027055	Chain shackle FZB	
123	23006302	Tension spring $\varnothing$ 4x $\varnothing$ 35x $\varnothing$ 100	
124	27000102	Chain $\varnothing$ 5x24x45	
125	22027048	Eyeboly M12x120 FZB	
126	22050503	M12 8.8 FZB DIN 934-8/ ISO4032 Hex Nut	
127	22008810	Screw M16x140 8.8 FZB DIN931	
128	22052007	M16 6 FZB DIN985 Prevailing Torque Hex Nut with polyamid inserted	
129	Y7200070	Shaft to middle locking mechanism	
130	Y7200096	Support for light	
131	20010953	Rotating beacon 12/24V	

132	25010301	SIKAC 10 M-Rod end with right hand thread	
133	Y7200397	Threaded guiding bar	
134	22008407	M10x45 8.8 FZB DIN933 Hex Cap Screw	
135	Y7200390	Marking plates for adjustment outlay box	
136	22008202	M6x10 8.8 FZB DIN933/ ISO4017 Hex Cap Screw	
137	Y7200398	Guiding bush	
138	8010182	Disc knob with zinc plated threaded end M6x20	
139	Y7200095	Guideing assembly	
140	22050901	M20 8.8 FZB DIN985 Prevailing Torque Hex Nut with polyamid inserted	
141	Y7200391	Guideing plate	
142	22008204	M6x16 8.8 FZB DIN933/ ISO4017 Hex Cap Screw	
143	Y7200393	Rubber protection	
144	Y7200394	Rubber protection	
145	20009342	Emergency stop	
146	20010952	Mounting for rotativ beacon	
147	Y7200206	Support plate for PVG	
148	22058411	M10 140HV FZB DIN 125 ISO7090 Flat Washer	
149	21076600	PVG 32/1 valve 180bar	
150	21062103	Seal ring 3/4"	
151	21062102	Seal Ring 1/2"	
152	21000829	Hydr. hexagon nipple 3/4"x3/4"	
153	21000890	Hydraulic hexagon nipple 1/2"x3/4"	
154	21000803	Hydr. hexagon nipple 1/2"x3/8"	
155	Y7100064	Valve cylinder support	
156	21075140	Valve block, Sterling (2x53-1)	
157	21075130	Load control valve, Sterling	
158	21000804	Hydr. hexagon nipple 3/8"x3/8"	
159	21062101	Seal Ring 3/8"	
160	21062100	Seal ring 1/4"	
161	21000832	Hydr. hexagon nipple 1/4"x3/8"	
162	21075104	Dobb. chock valve f."OMP extern"	
163	22002109	M6x80 8.8 FZB DIN931/ ISO4014 Hex Cap Screw	
164	22008304	M8x25 8.8 FZB DIN933/ ISO4017 Hex Cap Screw	
165	21039975	Hydraulic hose 3/4x1800	
166	21001117	Adaptor 3/8"xM30x2	
167	21040003	Cutting ring ø22	
168	21040009	Union nut Ø22	
169	21039976	Hydraulic hose 3/4x1400	
170	21039977	Hydraulic hose 3/4x1700	
171	21040106	Hydraulic hose 3/8x650	
172	21039979	Hydraulic hose 3/8x550	
173	21039980	Hydraulic hose 3/8x1300	
174	21039981	Hydraulic hose 3/8x1400	
175	21039982	Hydraulic hose 3/8x2800	
176	21039983	Hydraulic hose 3/8x2700	
177	21039984	Hydraulic hose 3/8x750	
178	21039985	Hydraulic hose 3/8x700	

179	21039986	Hydraulic hose 3/8x1700	
180	21039987	Hydraulic hose 3/8x1600	
181	21040099	Hydraulic hose 3/8"x350	
182	21040100	Hydraulic hose 3/8"x750	
183	21040105	Hydraulic hose 3/8"x2000	
184	21040036	Clamp ø38 B250-6.38	
185	21075157	1/4 pilot operated check VA	
186	22012308	M6x60 8.8 FZB DIN912/ ISO4762 Socket Head Cap Screw	
187	21000632	Hydraulic T 3/8 Cast version	
188	21040033	Half part for ø18 double clamp	
189	22008305	M8x30 8.8 FZB DIN933/ ISO4017 Hex Cap Screw	
190	21000418	3/4 female Tema	
191	21000419	3/4 male Tema	
192	22002235	M10x65 8.8 FZB DIN931 Hex Cap Screw	
193	Y7200256	Locking pin for mechanism	
194	Y7200263	Plastic plate 8x50x52	
195	Y7200264	Plastic plate 8x50x89	
196	Y7200265	Plastic plate 8x55x134	
197	Y7200266	Plastic plate 8x89x134	



# Y7200021 Complete conveyor assembly

BOM version: BOM05107003

X = See separate drawing

Pos.	Item number	Description	
01	Y7200055	Bottom frame for conveyor belt weld	
02	Y7200121	Profile for rollers	
03	Y7200120	Profile for rollers	
04	22058700	M10 140HV FZB DIN9021A/ ISO7093 Flat Washer	
05	22056300	M10 SS FZB DIN128A Spring Lock Washer curved	
06	22008402	M10x20 8.8 FZB DIN933 Hex Cap Screw	
07	27010151	Roller for conveyor belt	
08	y7200128	Lap plate for roller	
09	22008403	M10x25 8.8 FZB DIN933 Hex Cap Screw	
10	25010300	Ståleje UCP 206	
11	22014665	Screw M14x60 8.8 FZB	
12	22058502	M14 140HV RAW DIN125 ISO7090 Flat Washer	
13	22052006	M14 6 FZB DIN985 Prevailing Torque Hex Nut with polyamid inserted	
14	Y7200061	Roller with motor shaft	
15	21070432	Oliemotor OMTW 315	
16	22000700	M18x60 8.8 RAW DIN931/ ISO4014 Hex Cap Screw	
17	22052008	M18 6 FZB DIN985 Prevailing Torque Hex Nut with polyamid inserted	
18	22100018	M18 140HV HDG DIN125A/ ISO7089 Flat Washer without chamfer,	
19	Y7200062	Connection for roller	
20	Y7200376	Motor fixing plate	
21	22018030	M8x10 45RAW DIN 916 / ISO 4029 Socket Set Screw with cup point	
22	22014601	M12x30 10.9 Zinkflange coating DIN 7991/ ISO10642 Hex. Socket	
23	Y7200060	Roller for conveyor band	
24	Y7200350	Distance plate for bearings	
25	Y7200348	Distance plate for bearings	
26	22077559	M12 A4-140HV DIN125A/ ISO7089 Flat Washer	
27	Y7200059	Adjustmant mechanism	
28	11011312	M12 140HV FZB DIN125A/ ISO7089 Flat Washer	
29	22052005	M12 6 FZB DIN985 Prevailing Torque Hex Nut with polyamid inserted	
30	22008509	Set screw M12x55 8.8 fzb	
31	22008505	M12x35 8.8 FZB DIN933 Hex Cap Screw	
32	27010112	Transport band	
33	Y7200063	Cleaning mechanism for belt	
34	22008506	M12x40 8.8 FZB DIN933 Hex Cap Screw	
35	22012508	M10x90 12.9 FZB DIN912/ ISO4762 Socket Head Cap Screw	
36	22058411	M10 140HV FZB DIN 125 ISO7090 Flat Washer	
37	22052004	M10 6 FZB DIN985 Prevailing Torque Hex Nut with polyamid inserted	

38	Y7200126	Roller for centering conveyor belt	
39	Y7200058	Roller for centering support	
40	22056401	M12 SS FZB DIN127B Helical Spring Lock Washer	
41	22008515	M12x130 8.8 FZB DIN933 Hex Cap Screw	