

N1.200.000 - Vario 80- 170

**N1200000****Vario 80-170**

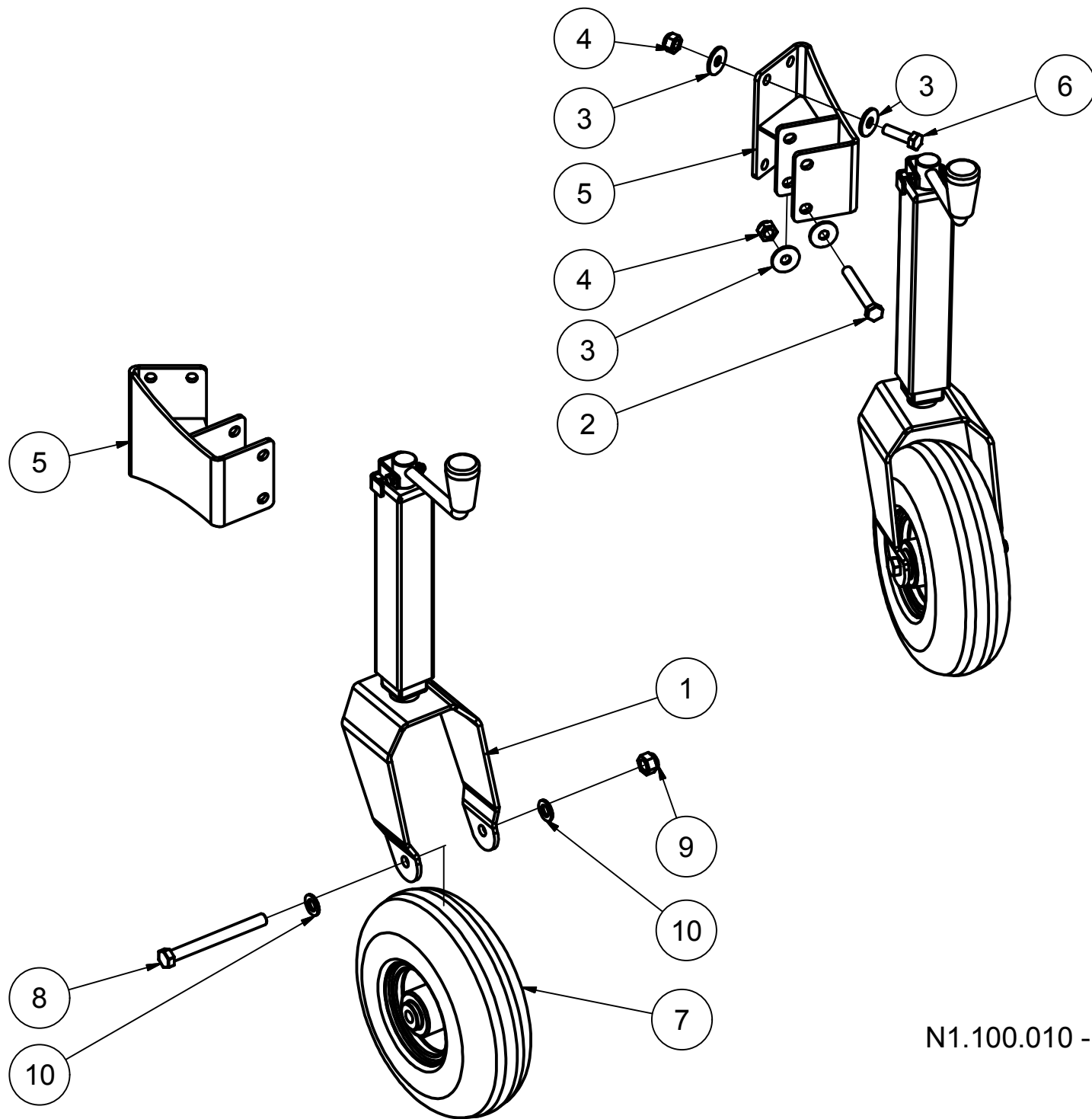
BOM version:

BOM05103858

X =See separate drawing

Position	Item Number	Product name
1	N1200040	Right blade assembly for Vario 80-170
2	N1200041	Left blade assembly for Vario 80-170
3	N1100042	Shaft for fixing shares
4	N1200107	Right bended share plate for Vario 80-170
5	N1200105	Right rubber holder for Vario 80-170
6	N1200104	Left bended share plate for Vario 80-170
7	N1200106	Left rubber holder for Vario 80-170
8	N1200049	Support hitch for Vario 80-170
9	N1100047	Fixing assembly for A frame
10	N1100132	Washer for A frame
11	22008704	M16x40 8.8 FZB DIN933/ ISO4017 Hex Cap Screw
12	N1200045	Fixing plate for spring for Vario 80-170
13	N1200044	Welded plate for fixing spring
14	N1200113	Shaft for spring for Vario 80-170
15	22052005	M12 6 FZB DIN985 Prevailing Torque Hex Nut with polyamid ins
16	22058610	M12 140HV FZB DIN 125 ISO7090 Flat Washer with chamfer
17	22014615	Screw M12x45 UH fzb 8.8 w/hexagon
18	22025404	M12x45 4.6 FZB DIN 603/555 Round Head Square Neck Bolt with
19	22008304	M8x25 8.8 FZB DIN933/ ISO4017 Hex Cap Screw
20	21060000	Grease nipple M6X1 straight
21	22058600	M8 140HV FZB DIN9021A/ ISO7093 Flat Washer without chamfer,
22	22052003	M8 6 FZB DIN985 Prevailing Torque Hex Nut with polyamid inse
23	N1200042	Large plate for Vario 80-170
24	N1200009	Hydraulic set For Vario 80-170
25	N1200110	Spring for Vario 80-170
26	23004404	ø6x40 420-560HV RAW DIN1481/ ISO8752 Spring Pin (Rolled pin)
27	22050700	M16 8.8 FZB DIN934/ ISO4032 Hex Nut Nominal Height ?0,8d
28	N1200048	Welded bolt for Vario 80-170
29	23006001	Linch pins 6,0 x 37 MM
30	N1200043	Small holder plate Vario 80-170
31	22002500	M16x55 8.8 FZB DIN931/ ISO4014 Hex Cap Screw
32	22058704	M16 140HV FZB DIN 125 ISO7090 Flat Washer with chamfer
33	22052007	M16 6 FZB DIN985 Prevailing Torque Hex Nut with polyamid ins
34	8000165	Rubber nr.1 for Vario 80-170
35	8000164	Rubber nr.2 for Vario 80-170
36	8000166	Rubber nr.3 for Vario 80-170
38	N1100133	Compression spring for Vario 80
39	22008706	M16x50 8.8 FZB DIN933/ ISO4017 Hex Cap Screw
40	N1100051	Bolt assembly
41	N1100140	Bush for Vario 80
43	N1100178	Bush for support hitch
44	N1100141	Plate for fixing valve
45	22059100	M10 50x11x4 St HDG BN 20153/gr.836 Washer
46	22056300	M10 SS FZB DIN128A Spring Lock Washer curved

47	22008404	M10x30 8.8 FZB DIN933 Hex Cap Screw
48	22056200	M8 SS HDG DIN128A Spring Lock Washer curved
49	22058402	M8 140HV FZB DIN125 ISO7090 Flat Washer with chamfer
50	22014404	M8x20 8.8 FZB DIN7991/ ISO10642 Hexagon Socket Countersunk H
51	N1100010	Wheel assembly for Vario 80 <span style="color: red;">X</span>



N1.100.010 - Wheel assembly Vario 80

# N1100010

# Wheel assembly for Vario 80

BOM version:

BOM05104352

X =See separate drawing

Position	Item Number	Description
1	29003130	supportwheel, SHF 3-01 10" reinforced
2	22002238	M10x80 8.8 FZB DIN931 Hex Cap Screw
3	22058700	M10 140HV FZB DIN9021A/ ISO7093 Flat Washer without chamfer,
4	22052004	M10 6 FZB DIN985 Prevailing Torque Hex Nut with polyamid ins
5	N1100054	Right/Left support for wheel
6	22008405	M10x35 8.8 FZB DIN933 Hex Cap Screw
7	24050104	Wheel GK10, 13x95 massiv
8	22002312	M12x120 8.8 FZB DIN931 Hex Cap Screw
9	22052005	M12 6 FZB DIN985 Prevailing Torque Hex Nut with polyamid ins
10	22058610	M12 140HV FZB DIN 125 ISO7090 Flat Washer with chamfer