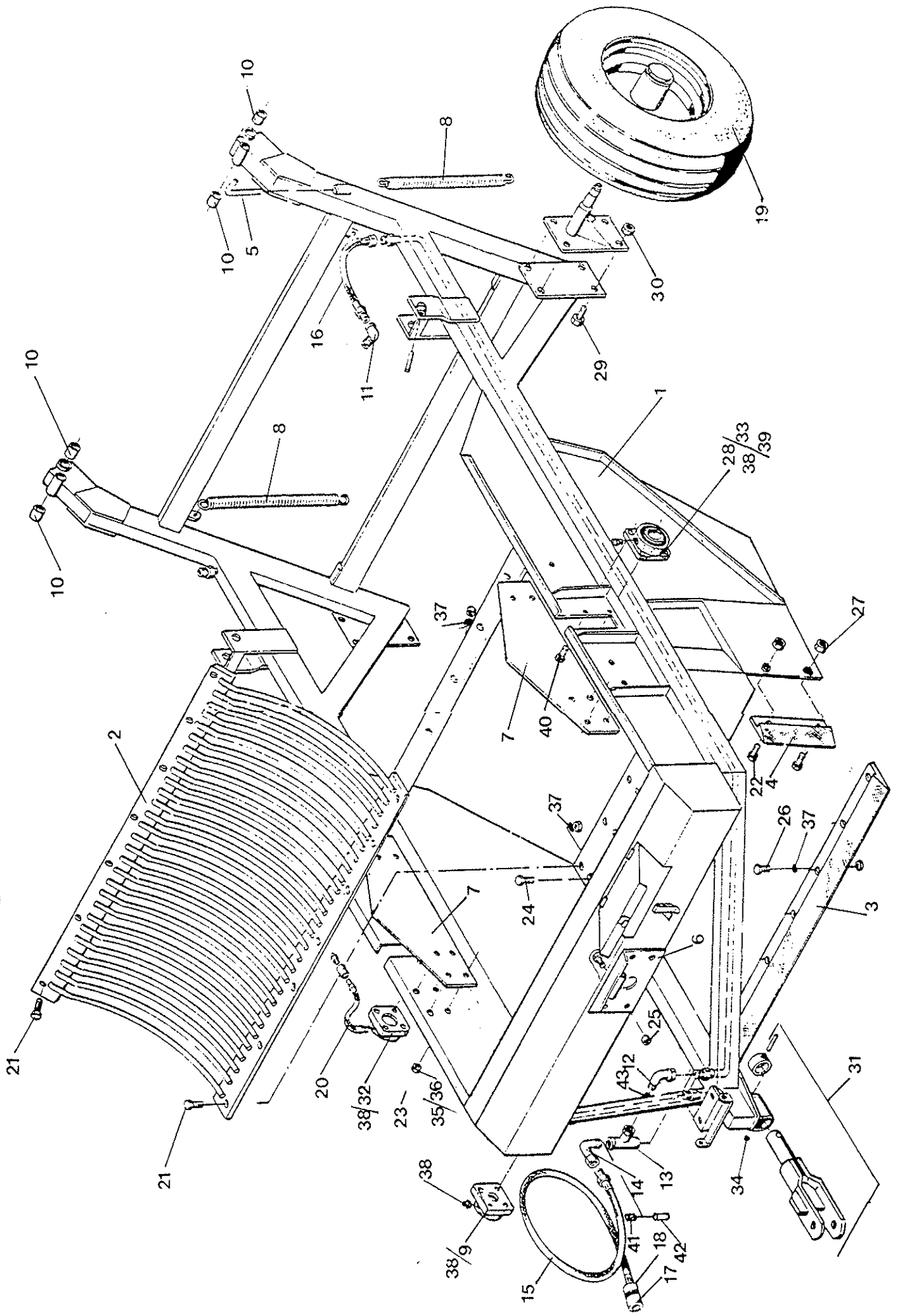


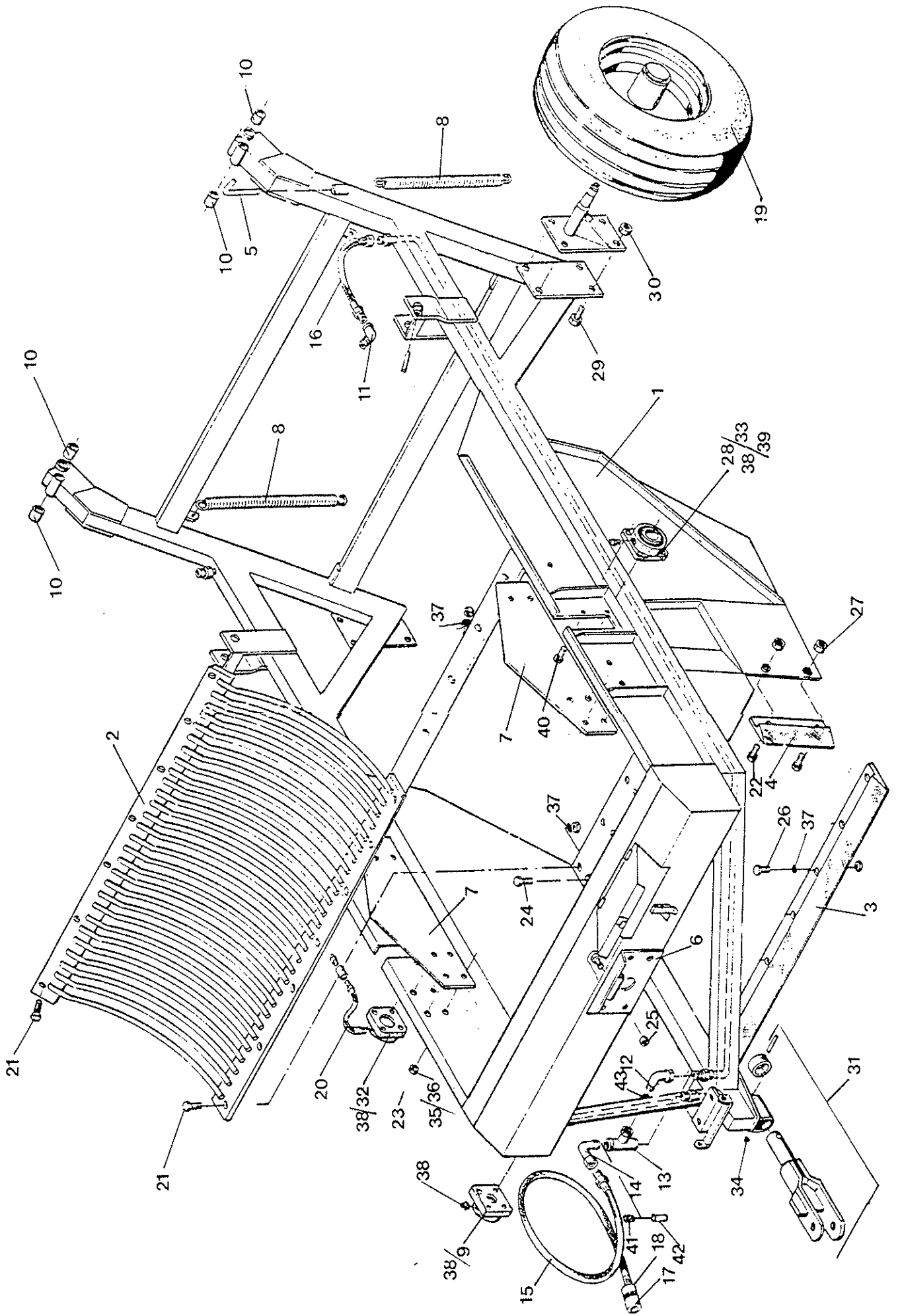
Spare parts list

| | |
|---|--|
| Typenr.: Type no.: Ballart nr.: _____ | Fabrikationsnr.: Prod. no.: Prod. nr.: _____ |
| Årgang: Year: Jahr: _____ | Max. arb. tryk: Max. pressure: Max. druck: _____ |
| Egenvægt: Net weight: Eigengewicht: _____ | Spænding: Voltage: Spannung: _____ |
| Max. last: Max. load: Max. ladung: _____ | |



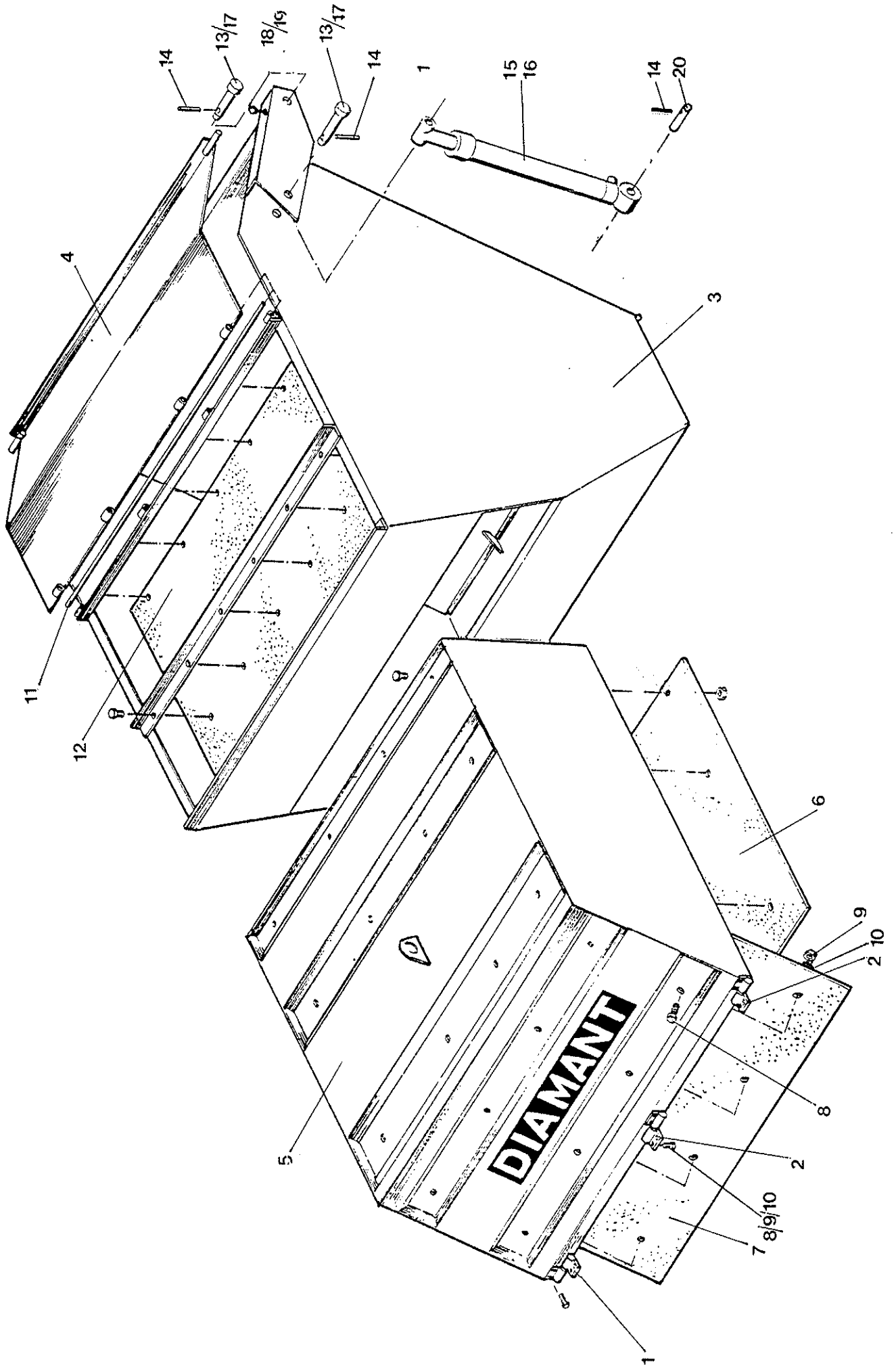
1100-1/1600-2

| Pos | Res.no. | Ramme | Frame | Note |
|-----|----------|---------------------------------|----------------------------|---------------|
| 1 | B5002000 | Hovedramme 1100-1 | Mainframe 1100-1 | |
| 1 | B6002000 | Hovedramme 1600-2 | Mainframe 1600-2 | |
| 2 | B1003005 | Sold f. 1100-1 Ø16/15mm | Riddle f. 1100-1 Ø16/15mm | |
| 2 | B2004005 | Sold f. 1600 Ø16/20mm | Riddle f. 1600 Ø16/20mm | |
| 2 | B1003001 | Sold f. 1100-1 Ø20/20mm | Riddle f. 1100-1 Ø20/20mm | |
| 2 | B2004004 | Sold f. 1600 Ø20/20mm | Riddle f. 1600 Ø20/20mm | |
| 2 | B1003004 | Sold f. 1100-1 Ø20/25mm | Riddle f. 1100-1 Ø20/25mm | |
| 2 | B2004001 | Sold f. 1600 Ø20/25mm | Riddle f. 1600 Ø20/25mm | |
| 2 | B2004006 | Sold f. 1600 Ø20/30mm | Riddle f. 1600 Ø20/30mm | |
| 2 | B1003000 | Sold f. 1100-1 Ø20/35mm | Riddle f. 1100-1 Ø20/35mm | |
| 2 | B2004000 | Sold f. 1600 Ø20/35mm | Riddle f. 1600 Ø20/35mm | |
| 2 | B1003006 | Sold f. 1100-1 Ø20/40mm | Riddle f. 1100-1 Ø20/40mm | |
| 2 | B1003002 | Sold f. 1100-1 Ø20/45mm | Riddle f. 1100-1 Ø20/45mm | |
| 2 | B2004002 | Sold f. 1600 Ø20/45mm | Riddle f. 1600 Ø20/45mm | |
| 2 | B1003003 | Sold f. 1100-1 Ø20/55mm | Riddle f. 1100-1 Ø20/55mm | |
| 2 | B2004003 | Sold f. 1600 Ø20/55mm | Riddle f. 1600 Ø20/55mm | |
| 3 | B1005000 | Skær f. 1100-1 | Share f. 1100-1 | |
| 3 | B2006000 | Skær f. 1600 | Share f. 1600 | |
| 4 | B1007000 | Sideskær | Sideshare | |
| 5 | B1013000 | Låsetap Ø19X155 El. galv | Dowel lock | |
| 6 | B4002043 | Skærmophæng, svejst | Shield suspension | |
| 7 | B4026000 | Løse sideplader ved rotor | Sidesheets by rotor, loose | |
| 8 | 23006301 | Trækfjeder 5x45x570 Ind.I | Tension spring 5x45x570 | |
| 9 | 25020400 | Flangeleje UCF 208-Ø40 | Flanged bearing 208-Ø40 | |
| 10 | 25040000 | BM-bøsning FB 25/28x30 | Busch 25/28x30 | |
| 11 | 21000700 | Hydr. vinkel Ø12 m/oml x 3/8" | Hydr. elbow | |
| 12 | 21000703 | Hydr. vinkel Ø12 m/omlxØ12 m/o | Hydr. elbow Ø12 | |
| 13 | 21000603 | Hydr. T Ø12oml-Ø12oml-Ø12oml | Hydr. T Ø120ml | |
| 14 | 21000702 | Hydr. vinkel Ø15 m/omlxØ15 stu | Hydr. elbow Ø15 | |
| 15 | 21030714 | Hydr. slange 1/2"x1400 | Hydr. hose 1/2"x1400 | |
| 16 | 21031804 | Hydr. slange Ø3/8"x400 | Hydr. hose Ø3/8"x400 | |
| 17 | 21000402 | Hankobling 1/2" sterling | Male coupling 1/2" | |
| 18 | 21062102 | Pakring 1/2" | Seal Ring1/2" | |
| 19 | 24000007 | Hjul komp. 10.0/75x15 8PLY | Wheel comp. 10/75x15 | |
| 19 | 24000006 | Hjul komp. 10,5/80x18-8PLY | Wheel comp. 10,5/80x18 | - 084.190.020 |
| 19 | 24000010 | Hjul komp. 400/60x15,5-14PLY | Wheel comp. 400/60x15,5 | 084.100.001 - |
| 20 | B5022000 | Sæt, slange for smørenippel | Set, hose f. grease nippel | |
| 21 | 22025403 | Bræddebolt M12x40 FZB | Carriage bolt M12x40 | |
| 22 | 22002300 | Mask. bolt M12x45 fzb | Machine bolt M12x45 | |
| 23 | 22008402 | Sætskrue M10x20 8.8 fzb | Set screw M10x20 | |
| 24 | 22008303 | Sætskrue M8x20 8.8 fzb | Set screw M8x20 | |
| 25 | 22052003 | Låsemøtrik M8 FZB | Lock nut M8 | |
| 26 | 22014603 | Skrue M12x40 10.9UH sort indiv. | Screw M12x40 10.9UH | |
| 27 | 22052005 | Låsemøtrik M12 FZB | Lock nut M12 | |
| 28 | 25020600 | Flangeleje UCF 210-Ø50 | Flanged bearing 210-Ø50 | |
| 29 | 22008706 | Sætskrue M16x50 8.8 FZB | Set screw M16x50 | |



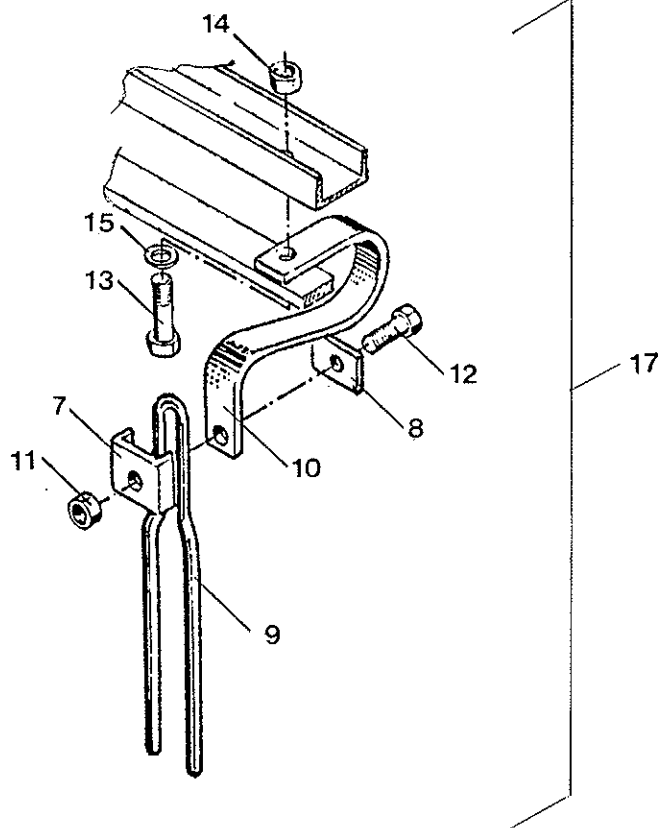
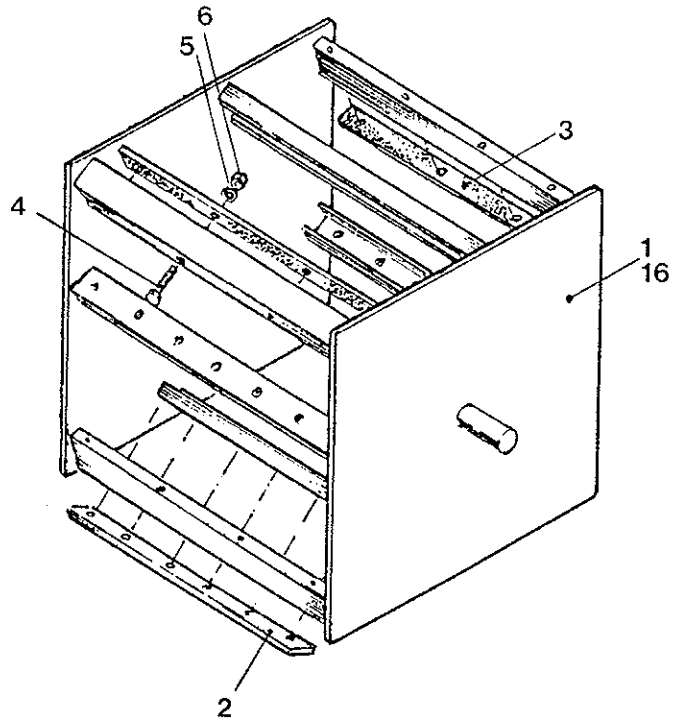
1100-1/1600-2

| Pos | Res.no. | Ramme | Frame | Note |
|-----|----------|-------------------------------|-------------------------------|------|
| 30 | 22052007 | Låsemøtrik M16 FZB | Lock nut M16 | |
| 31 | 29000900 | Gaffeltræk kpl. (ekstra lang) | Fork traction, complete | |
| 32 | B5017000 | Leje for stensamler, mont. | Bearing f. Stonecollector | |
| 32 | 21060000 | Smørenippel M6X1 lige | Grease nipple M6x1 | |
| 32 | 21062229 | Simmerring 90-50-10 | Oil seal 90-50-10 | |
| 32 | 23005128 | Låsering Ø90 indvendig | Ring lock ø90 | |
| 32 | 25001210 | Sværisk rulleleje 22210 CC | Roller bearing 22210 CC | |
| 32 | B5017100 | Lejehus for stensamler | Casing f. Stonecollector | |
| 33 | S7400050 | Dæksel leje 210 | Cover bearing 210 | |
| 34 | 21060000 | Smørenippel M6X1 lige | Grease nipple M6x1 | |
| 35 | 22058411 | Skive M10 FZB 20/10.5X2 | Washer M10 | |
| 36 | 22056300 | Centerfjederskive M10 FZB | Spring washer M10 | |
| 37 | 22058610 | Skive M12 ø23/ø13x2,5 FZB | Disc M12 | |
| 38 | 22052006 | Låsemøtrik M14 FZB | Lock nut M14 | |
| 39 | 22059401 | Planskiver 14mm FZB | Face plate 14mm | |
| 40 | 22008603 | Sætskrue M14x40 8.8 FZB | Set screw M14x40 | |
| 41 | 21001050 | Omvendt hydr.samler 15/12 | Reverse hydr. collector 15/12 | |
| 42 | B5024000 | Hydr. rør for stensamler | Hydr. pipe f. Stonecollector | |
| 43 | B5024001 | Hydr. rør for stensamler | Hydr. pipe f. Stonecollector | |



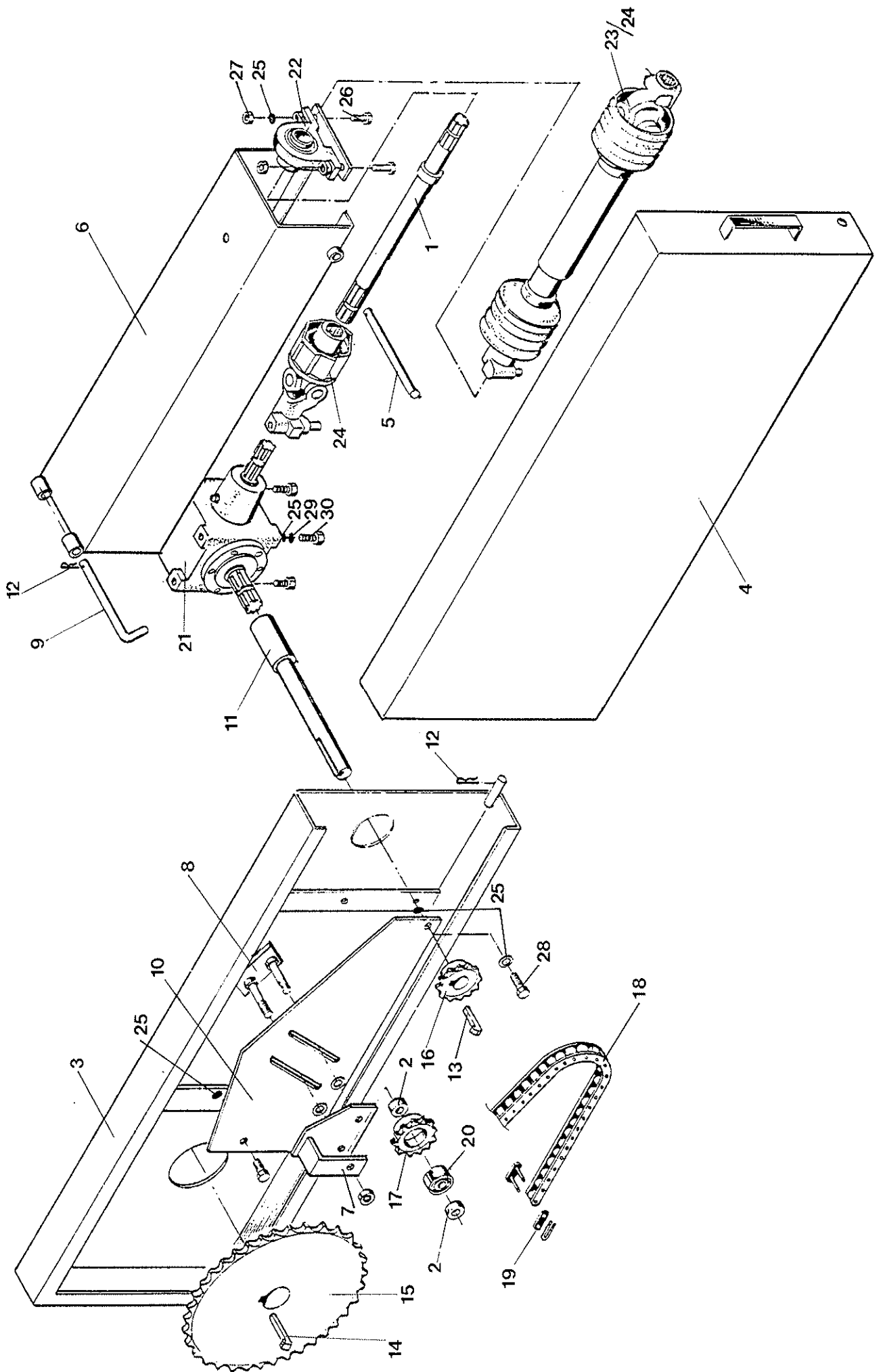
1100-1/1600-2

| Pos | Res.no. | Tipkasse | Hopper | Note |
|-----|----------|--------------------------------|--------------------------------|------|
| 1 | B4027000 | Hængsel f. overbygning højre | Hinge f. superstructure, right | |
| 2 | B4036000 | Hængsel f. overbygning venstre | Hinge f. superstructure, left | |
| 3 | B5004000 | Tipkasse for 1100-1 | Tipbox 1100-1 | |
| 3 | B6004000 | Tipkasse 1600-2 | Tipbox 1600-2 | |
| 4 | B5005000 | Låg f. tipkasse 1100-1 | Lid f. Tipbox 1100-1 | |
| 4 | B6005000 | Låg f. tipkasse 1600-2 | Lid f. Tipbox 1600-2 | |
| 5 | B5020040 | Overbygning f. 1100-1 svejst | Superstructure f. 1100-1 | |
| 5 | B5020000 | Overbygning f. 1100-1 6/90 | Superstructure f. 1100-1 6/90 | |
| 5 | B6030000 | Overbygning f. 1600-2 | Superstructure f. 1600-2 | |
| 6 | B5020102 | Slagfast plade 8x1160x1100 | Impact strengthened plate | |
| 6 | B4034000 | Slagfast plade 8x670x1600 | Impact strengthened plate | |
| 7 | B5020103 | Slagfast plade 8x640x1100 | Impact strengthened plate | |
| 7 | B6031000 | Slagfast plade | Impact strengthened plate | |
| 8 | 22008304 | Sætskrue M8x25 8.8 fzb | Set screw M8x25 | |
| 9 | 22052003 | Låsemøtrik M8 FZB | Lock nut M8 | |
| 10 | 22058600 | Skive M8 FZB 24/8,4x2 | Washer M8 | |
| 11 | B5014000 | Nagle f. låg 1100-1 | Pin 1100-1 | |
| 11 | B6020000 | Nagle f. låg ø12x1540 | Pin ø12x1540 | |
| 12 | B5016000 | Slagfast pl. i tipkasse | Impact strengthened plate in t | |
| 12 | B6023000 | Slagfast plade i tipkasse 1600 | Impact strengthened plate in t | |
| 13 | 23006202 | Nagle Ø25x120-Ø10 | Spike ø25x120-ø10 | |
| 14 | 23004608 | Rørstift Ø10x50 fzb | Dowel ø10x50 | |
| 15 | 21000200 | Hydr. cyl. ev55-565 | Hydr. cylinder ev55-565 | |
| 15 | 21000202 | Hydr. cyl. snh20-ae-63/40x565 | Hydr. cyl. snh20-ae-63/40x565 | |
| 16 | 21000115 | Pakningssæt f. EV 70/55x565 | Gasket set f. ev 70/55x565 | |
| 16 | 21000112 | Pakningssæt f. SNH20-63/40 | Gasket set f. snh20-63/40 | |
| 17 | 21060008 | Smørenippel M8 90g | Grease nipple M8 | |
| 18 | 22027043 | Øjebolt M16 FZB | Ring bolt M16 | |
| 19 | 22052007 | Låsemøtrik M16 FZB | Lock nut M16 | |
| 20 | B5015000 | Nagle f. cylinder Ø25X95 comp. | Pin ø25x95 | |



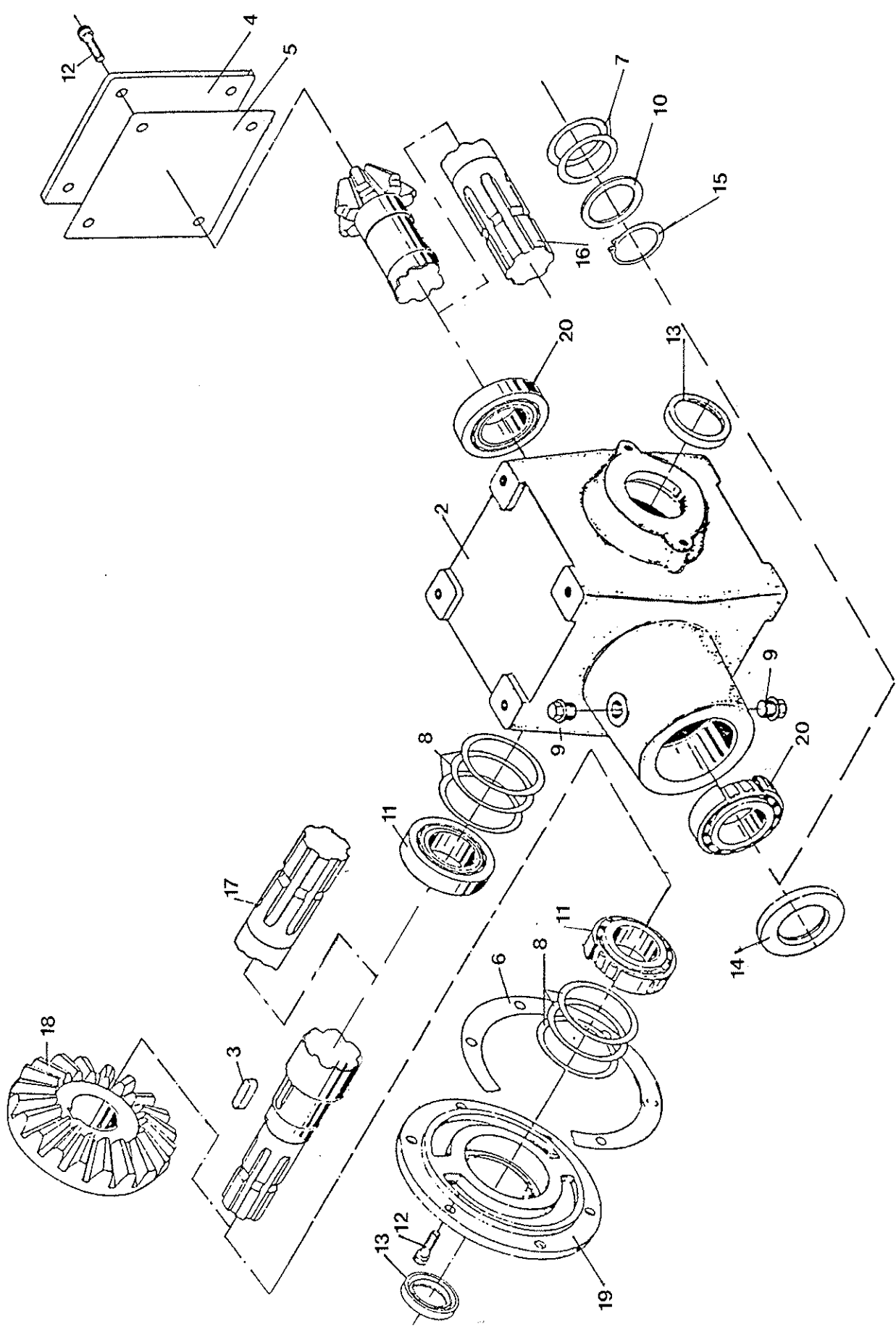
1100-1/1600-2

| Pos | Res.no. | Rotor | Rotor | Note |
|-----|----------|--------------------------------|---------------------------|------|
| 1 | B1029000 | Rotor for 1100-1, mont. | Rotor for 1100-1 | |
| 1 | B2030000 | Rotor f. 1600, 48 tænder, kpl | Rotor f. 1600 | |
| 2 | B1031000 | Spændebeslag 50X8X940 | Tighteningplate 50x8x940 | |
| 2 | B2032000 | Spændepåse 50X8X675 | Tightening plate 50x8x675 | |
| 3 | B1029108 | Gummiplade 10x50x970 | Rubber sheet 10x40x970 | |
| 3 | B2030105 | Gummiplade 10x50x730 | Rubber sheet 10x40x730 | |
| 4 | 22002211 | Mask. bolt M8x100 8.8 fzb | Bolt M8x100 | |
| 5 | 22052003 | Låsemøtrik M8 FZB | Lock nut M8 | |
| 6 | 22058600 | Skive M8 FZB 24/8,4x2 | Washer M8 | |
| 7 | B4035100 | U-beslag for fjedre | U-plate for springs | |
| 8 | B4035101 | Plade beslag ø18 8x44x80 | Plate ø18 8x44x80 | |
| 9 | 9001010 | Tand f. stensamler ø16 borstål | Prong f. Stonecollector | |
| 10 | 23006401 | Bladfjeder f/stensamler ø18 | Leaf spring ø18 | |
| 11 | 22052008 | Låsemøtrik M18 FZB | Locking nut M18 | |
| 12 | 22000700 | Mask. bolt M18x60 8.8 sort | Bolt M18x60 | |
| 13 | 22002300 | Mask. bolt M12x45 fzb | Machine bolt M12x45 | |
| 14 | 22052005 | Låsemøtrik M12 FZB | Lock nut M12 | |
| 15 | 22058309 | Sværskive 1/2" FZB 29/14,5x3 | Washer 1/2" | |
| 16 | B1029040 | Rotor f. 1100-1 svejst | Rotor f. 1100-1 | |
| 16 | B2030040 | Rotor for 1600, svejst | Rotor for 1600 | |
| 17 | B4035000 | Fjeder kpl. 1988 | Spring 1988 | |



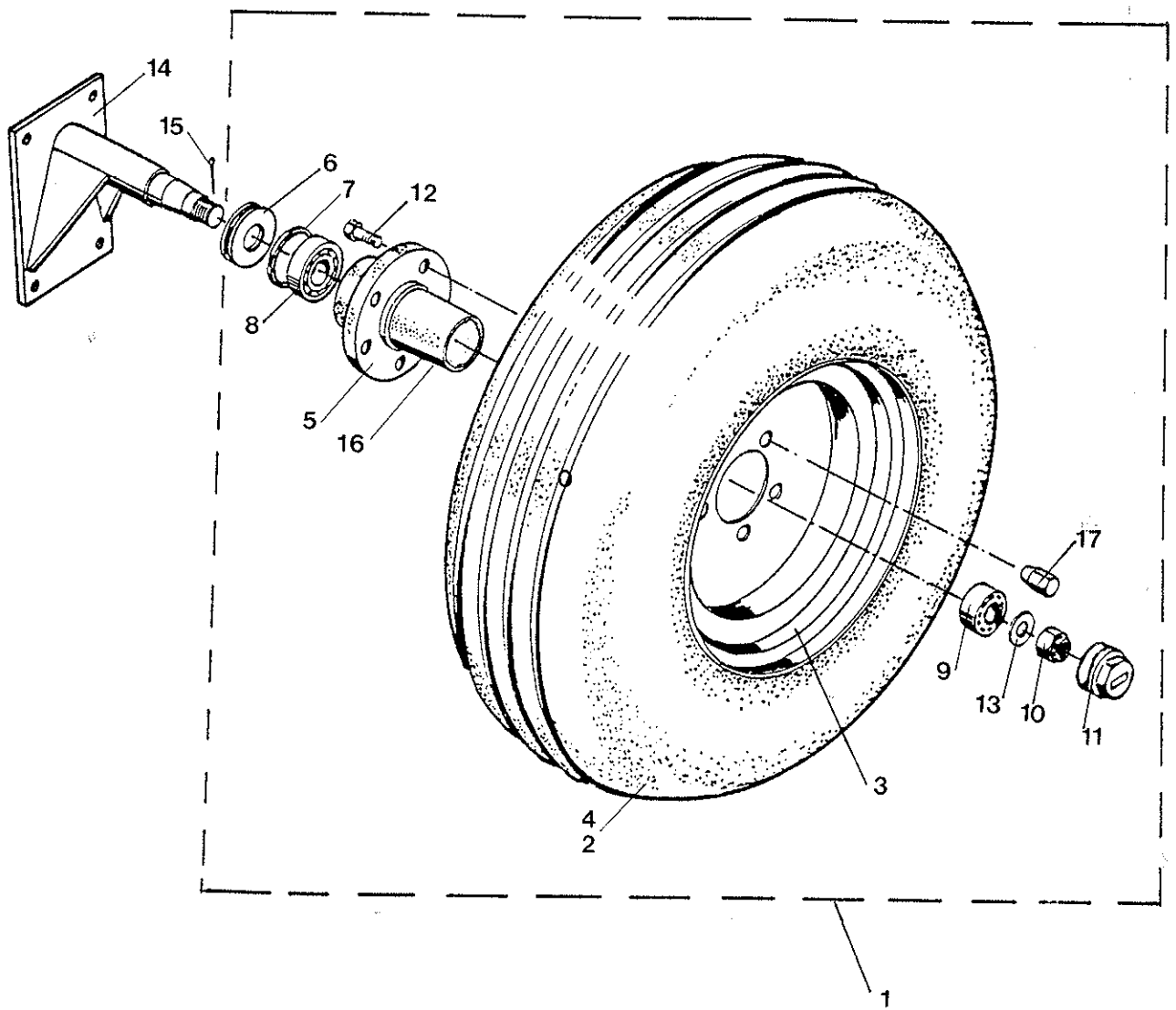
1100-1/1600-2

| Pos | Res.no. | Transmission | Transmission | Note |
|-----|----------|--------------------------------|--------------------------------|------|
| 1 | B1039000 | Notaksel med stopring | Grooved shaft with adjusting r | |
| 2 | B1052000 | Bøsning E. rør Ø32/Ø16X14 | Bush ø32/ø16x14 | |
| 3 | B6012000 | Indvendig skærm for kædekasse, | Inner Schield f. chainbox | |
| 4 | B6013000 | Udv. skærm | External Shield | |
| 5 | B4028000 | Nagle f. skærm ø12x290 el galv | Pin ø12x290 | |
| 6 | B4029000 | Skærm v/friktionskobling | Shield by friction clutch | |
| 7 | B6015000 | Konsol f. strammehjul | Console f. tightening wheel | |
| 8 | B6024000 | Beslag for kædestrammer | Fitting f. trunbuckle | |
| 9 | B1049000 | Nagle v/skærm f. 1100 Ø12X250 | Pin ø12x250 | |
| 10 | B6016000 | Plade f. strammer | Plate f. tightener | |
| 11 | B5021000 | Aksel m/muffe 1100-1 6/90 | Shaft with socket 1100-1 | |
| 11 | B4025000 | Aksel m/muffe f. 1600 | Shaft with muff f. 1600 | |
| 12 | 23006021 | Hårnålesplit Ø3 type B | Split Pin ø3 | |
| 13 | 23002702 | Hagekile 12x8x63 | Gib 12x8x63 | |
| 14 | 23002802 | Hagekile 14x9x70 | Gib 14x9x70 | |
| 15 | 26020700 | Simp. kædehjul 1"-45Z/Ø50-N14 | Chain wheel 1" | |
| 16 | 26020100 | Simp. kædehjul 1"-11Z/Ø40-N12 | Chain wheel 1" | |
| 17 | 26020101 | Simp.pl. kædehjul 1"-11Z/Ø40 M | Chain wheel 1" | |
| 18 | 26030401 | Simp. kæde 1"x17,02-102 led | Chain 1" | |
| 19 | 26030022 | Udv. samleled simp. 1"x17,02 | Joint straight | |
| 20 | 25000403 | Sporkugleleje 62203-2RS1 | Step ball bearing 62203 | |
| 21 | 26093100 | V. gears U30 1:2 2x1 | V-gearbox 1:2 | |
| 22 | 25010400 | Ståleje UCP 207 | Pedestal bearing 207 | |
| 23 | 26061000 | P.T.O. 3/8"x1 3/8"x710 | PTO 3/8" | |
| 23 | 26076001 | Nålelejekryds W2300 | Cross joint | |
| 24 | 26080000 | Frik. kobling G2200 K92/450 A/ | Friction coupling G2200 | |
| 25 | 22058610 | Skive M12 ø23/ø13x2,5 F2B | Disc M12 | |
| 26 | 22008506 | Satskrue M12x40 8.8 fzb | Set screw M12x40 | |
| 27 | 22052005 | Låsemøtrik M12 F2B | Lock nut M12 | |
| 28 | 22008511 | Satskrue M12x65 8.8 F2B | Set screw M12x65 | |
| 29 | 22056400 | Centerfjederskive M12 F2B | Spring washer M12 | |
| 30 | 22008504 | Satskrue M12x30 8.8 fzb | Set screw M12x30 | |



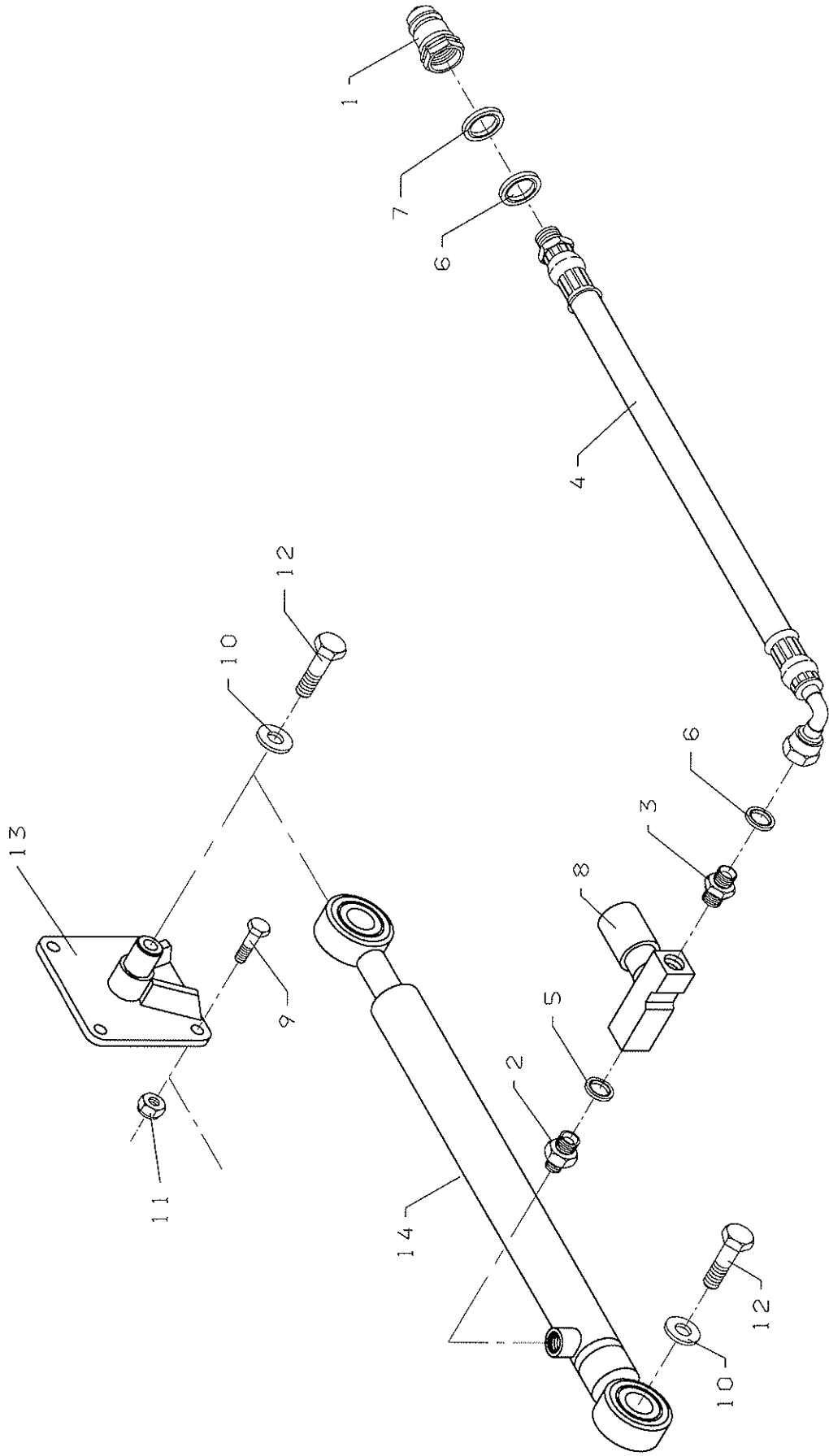
1100-1/1600-2

| Pos | Res.no. | Gearkasse | Gearbox | Note |
|-----|----------|---------------------------------|---------------------------|------|
| 1 | 26093100 | V. gearks U30 1:2 2x1 | V-gearbox 1:2 | |
| 2 | 26093113 | Gearhus UNIMAX30 | Gearbox UNIMAX30 | |
| 3 | 23000701 | Feder 12x8x30 form A | Key 12x8x30 form A | |
| 4 | 26093110 | Dæksel åben UNIMAX30 | Cap. open UNIMAX30 | |
| 5 | 26093106 | Pakning U30 60gr 2.85:1 | Packing U 30 | |
| 6 | 26093107 | Pakning U30 60gr. 2.85:1 | Packing U 30 | |
| 7 | 26093111 | Mellemlægsring ø68/55x02 din 9 | Baffle ring ø68/55x02 | |
| 8 | 26093112 | Mellemsringe ø80/63x02 din 988 | Baffle ring ø80/63x02 | |
| 9 | 21010202 | Olieprop 1/2" gr.508 din 908 | Drainplug 1/2" | |
| 10 | 26093109 | Støtteskive 40x50x2,5 | Support washer 40x50x2,5 | |
| 11 | 25030103 | Konisk rulleleje 30208 | Cone roller bearing 30208 | |
| 12 | 22012503 | Skrue M10x25 8.8 fzb indiv. 6-k | Screw M10x25 8.8 | |
| 13 | 26093103 | Olietættningsring 40-55-07 | Oil seal ring 40-50-07 | |
| 14 | 26093104 | Olietættningsring 40-68-10 | Oil seal ring 40-68-10 | |
| 15 | 23005020 | Låsering Ø40 udvendig | Ring lock ø40 | |
| 16 | 26093101 | Spidshjulsaksel 1 3/8" | Bevel pinion wheel shaft | |
| 17 | 26093102 | Kronhjulsaksel 1 3/8" | Crown wheel shaft | |
| 18 | 26093105 | Kronhjul U30 1:2 | Crown wheel U 30 1:2 | |
| 19 | 26093108 | Endedæksel UNIMAX30 | End cover UNIMAX30 | |
| 20 | 25030104 | Rulleleje f/nav 32008-X | Roller bearing 32008-X | |



1100-1/1600-2

| Pos | Res.no. | Hjul | Wheels | Note |
|-----|----------|------------------------------|------------------------------|------|
| 1 | 24000007 | Hjul komp. 10.0/75x15 8PLY | Wheel comp. 10/75x15 | |
| 1 | 24000006 | Hjul komp. 10,5/80x18-8PLY | Wheel comp. 10,5/80x18 | |
| 1 | 24000010 | Hjul komp. 400/60x15,5-14PLY | Wheel comp. 400/60x15,5 | |
| 2 | 24000100 | Dæk 10.0/75x15-8PLY | Tyre 10/75x15 | |
| 3 | 24000200 | Fælg 9x15-15-5-102-140 | Rim 9x15 | |
| 4 | 24000300 | Slange 10/11x15 | Hose 10/11x15 | |
| 5 | 24030300 | Nav HDL 45-5 usamlet | Hub 45-5 | |
| 5 | 24030001 | Navhus HDL 45-6 | Hub housing 45-6 | |
| 6 | 24030305 | Tætningsplade ø85/ø45 | Tightening plate ø85/ø45 | |
| 6 | 24030004 | Tætningsplade HDL 45-6 | Tightening plate HDL 45-6 | |
| 7 | 22056450 | Konisk fjederskive M14,5 FZB | Conical spring washer M14,5 | |
| 7 | 22056600 | Konisk fjederskive C 18 | Conical spring washer C18 | |
| 8 | 24030303 | Rulleleje 30209 | Roller bearing 30209 | |
| 8 | 25030100 | Rulleleje L68-149/110 | Roller bearing L68-149/110 | |
| 9 | 24030304 | Rulleleje 30206 | Roller bearing 30206 | |
| 9 | 25030101 | Rulleleje LM102-949/910 | Roller bearing LM102-949/910 | |
| 10 | 24030006 | Kronmetrik HDL45-6 | Slotted nut HDL 45-6 | |
| 11 | 24030103 | Navkapsel 2 1/2"RG (Ø75) | Hub cap 2 1/2" | |
| 12 | 22008505 | Sætskrue M12x35 8.8 fzb | Set screw M12x35 | |
| 13 | 24030005 | Skive Ø50/Ø30x3 sort | Washer ø50/ø30x3 | |
| 14 | B1056040 | Mont. hjulaksel | Mounted shaft | 1100 |
| 14 | B2057040 | Hjulaksel mont. HDL 45-6 | Shaft mounted HDL 45-6 | 1600 |
| 14 | B6032040 | Nav. lang mont. 1600-2 | Hub, long, mounted 1600-2 | |
| 15 | 23006071 | Split Ø5x50 FZB | Split pin | |
| 16 | 21060001 | Smørenippel M6x1-90g | Grease nipple M6x1 | |
| 17 | 22060010 | Navbolt M18x45 FZB m/spids | Hub bolt M18x45 FZB | |



1100-1/1600-2

| Ekstra udstyr | | Optinal extras | |
|---------------|----------|-----------------------------|--------------------------------|
| Pos | Res.no. | Note | |
| | B4100000 | Sæt, hydr. f. overbygning | Set, hydraulic opening of cove |
| 1 | 21000402 | Hankobling 1/2" sterling | Male coupling 1/2" |
| 2 | 21000807 | Hydr. brystnippel 1/4"x1/4" | Hydr. hexagon nipple 1/4"x1/4" |
| 3 | 21000832 | Hydr. brystnippel 1/4"x3/8" | Hydr. hexagon nipple 1/4"x3/8" |
| 4 | 21033431 | Hydr. slange Ø3/8"x3100 | Hydr. hose Ø3/8"x3100 |
| 5 | 21062100 | Pakring 1/4" | Seal ring 1/4" |
| 6 | 21062101 | Pakring 3/8" | Seal Ring 3/8" |
| 7 | 21062102 | Pakring 1/2" | Seal Ring1/2" |
| 8 | 21075403 | Drevleventil 1/4" FT1251514 | Throttle valve 1/4" |
| 9 | 22008303 | Sætskrue M8x20 8.8 fzb | Set screw M8x20 |
| 10 | 22008401 | Sætskrue M10x16 8.8 fzb | Set screw M10x16 |
| 11 | 22052003 | Låsemøtrik M8 FZB | Lock nut M8 |
| 12 | 22058700 | Skive M10 FZB 30/10.5X2.5 | Washer M10 |
| 13 | B4030000 | Konsol for overbygning | Console f. superstructure |
| 14 | B4101000 | Hydr. cyl. f. overbygning | Hydr. cylinder |