

SKE SERIES



– de-icing of roads!

EPOKE SKE SERIES

Technical data and dimensions

	SKE 8	SKE 15	SKE 20
Capacity:	800 l	1250 l	1650 l
Spreading width:	1008 mm	1390 mm	1918 mm
Total width:	1285 mm	1665 mm	2195 mm
Self-weight:	400 kg	600 kg	720 kg

Standard equipment: Agitator, spring base, spring base adjustment, transmission, coupling, driving shaft and support wheel.

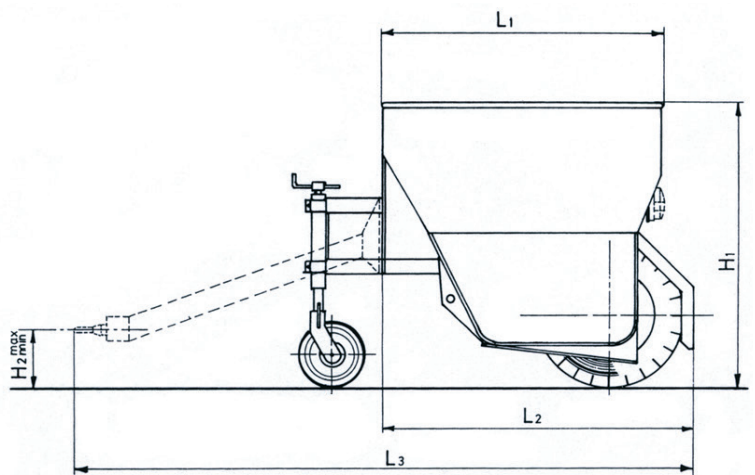
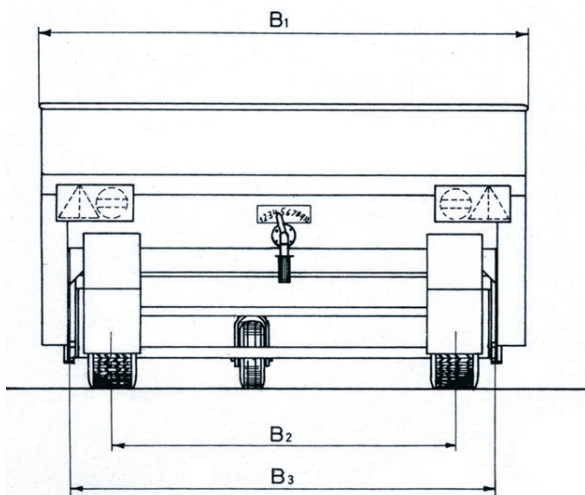
Optional equipment: Electrical remote control, extra agitator, etc.

Features:

The spreaders are designed in such a way that the amount delivered per m² is constant, even if the speed is changed, which means the spreaders are 100% road-speed related.

The SKE spreaders all feature the same sturdy construction, however various hopper sizes. These spreaders are primarily towed behind tractors.

Like all other Epoke machines, SKE spreaders feature surface treatment consisting of sandblasting, zinc dust priming, 2-component polyurethane base coat and a 2-component top coat.



	B ₁	B ₂	B ₃	H ₁	H ₂ max.	H ₂ min.	L ₁	L ₂	L ₃ max.	L ₃ min.	V - m ³
SKE 8	1285	790	1008	1080	720	375	1200	-	-	-	0,8
SKE 15	1665	1000	1390	1300	630	275	1275	1395	2945	1771	1,25
SKE 20	2195	1530	1918	1300	630	275	1275	1395	2945	-	1,65



Epoke® A/S
 Vejervej 50, Askov
 DK-6600 Vejen
 Tel. +45 76 96 22 00
 Fax +45 75 36 38 67
 epoke@epoke.dk
 www.epoke.dk



In order to maintain the high and uniform product standard Epoke® A/S has been certified by Lloyd's register to ISO 9001:2008.
 TLG B-3 approval
 GS approval
 E1 approval
 RoHS directive
 WEEE directive

