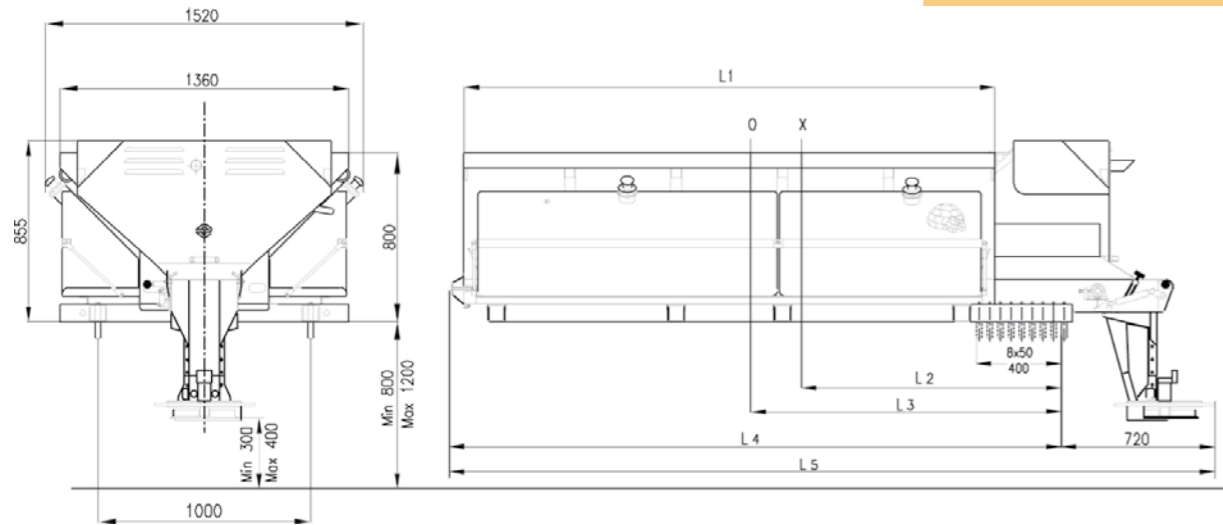


# TECHNICAL INFO

# IGLOO S-2400



S2400		L1	L2 stand- ard	L2 long	L3 stand- ard	L3 long	L4 stand- ard	L4 long	L5 stand- ard	L5 long
800 l	without liquid tanks without hopper extension frame	1500	590	1059	1007	1495	2005	2505	2605	3105
	with liquid tanks without hopper extension frame		667	1141	1048	1536				
	with liquid tanks with hopper extension frame		687	1161	1071	1559				
	without liquid tanks with hopper extension frame		618	1087	1045	1533				
1100 l	without liquid tanks without hopper extension frame	2000	868	1330	1279	1769	2505	3005	3105	3605
	with liquid tanks without hopper extension frame		935	1404	1314	1803				
	with liquid tanks with hopper extension frame		955	1424	1348	1837				
	without liquid tanks with hopper extension frame		895	1357	1340	1830				
1400 l	without liquid tanks without hopper extension frame	2500	1020		1424		3005	3605		
	with liquid tanks without hopper extension frame		1080		1455					
	with liquid tanks with hopper extension frame		1100		1476					
	without liquid tanks with hopper extension frame		1047		1459					



## IGLOO S-2400

- Simple design
- Well-arranged machine house
- Low center of gravity
- Improved roadability
- Low weight
- Optimal center of gravity placement
- Easy operation and service



Epoke® A/S  
 Vejenvvej 50, Askov  
 DK-6600 Vejen  
 Tel. +45 76 96 22 00  
 Fax +45 75 36 38 67  
 epoke@epoke.dk  
 www.epoke.dk



In order to maintain the high and uniform product standard Epoke® A/S has been certified by Lloyd's register to ISO 9001:2008.  
 TLG B-3 approval  
 GS approval  
 E1 approval  
 RoHS directive  
 WEEE directive



100111 - pla



- de-icing of roads!

### Functional design

The IGLOO S2400 spreader has undergone an update for further optimization of service-friendliness and maintenance.

The product range of the IGLOO-series has been expanded. The IGLOO S2400 is now available with a long rear end allowing optimal center of gravity placement on the vehicle.

IGLOO S2400 is width/quantity compensated as well as road-speed dependent (synchronous), which means that the adjusted spreading quantity per m<sup>2</sup> remains constant irrespective of changes of spreading width or driving speed, respectively.

The IGLOO-series is characterized by the simple design featuring the well-arranged machine house, which makes the spreader very service-friendly and easy to maintain resulting in low operating costs.

Furthermore, the low weight belt spreader featuring a low center of gravity is ideal for fitting on small truck bodies and carrying vehicles.



### Technical information

The spreader is available with a hopper capacity ranging from 800 – 2000 liters by a combination of a basic hopper and extension frames, which allows adaptation of the hopper volume to the individual vehicle.

The spreader is driven by the vehicle hydraulic system, a Honda petrol engine or a Hatz diesel engine.

As standard the belt spreader is operated through the EpoBasic® remote control, while the EpoMaster® remote control provides the option of individual spreader settings as well as data collection and GPS-controlled spreading (option).

The profiled conveyor belt works with all material types and ensures a stable and uniform material supply.

The stainless steel spreading disc permits a working width range of 1.5 – 6 meters making the spreader well suited for operation on bike paths, parking spaces, small roads and city squares.

The IGLOO-series surface treatment consists of sandblasting, rust proofing with two-component zinc dust primer and topcoat.

### OPTIONS

- Prewetting system
- Diesel engine or petrol engine
- Folding cover
- Electrical symmetry
- Off-loading systems
- Stainless steel version
- Relief plate
- Center of gravity stabilizer
- Extension frame
- Wireless EpoMaster® IV
- EpoMaster® III
- EpoSat® - GPS-controlled spreading
- Data collection



IGLOO is available with a Honda petrol engine or a Hatz diesel engine.



Relief plate minimizing the weight of the material on the conveyor belt (option)



As standard IGLOO is delivered with the EpoBasic® remote control



Available with long rear end for optimal center of gravity placement



Improved machine house protection



Stainless steel spreading disc and feed funnel